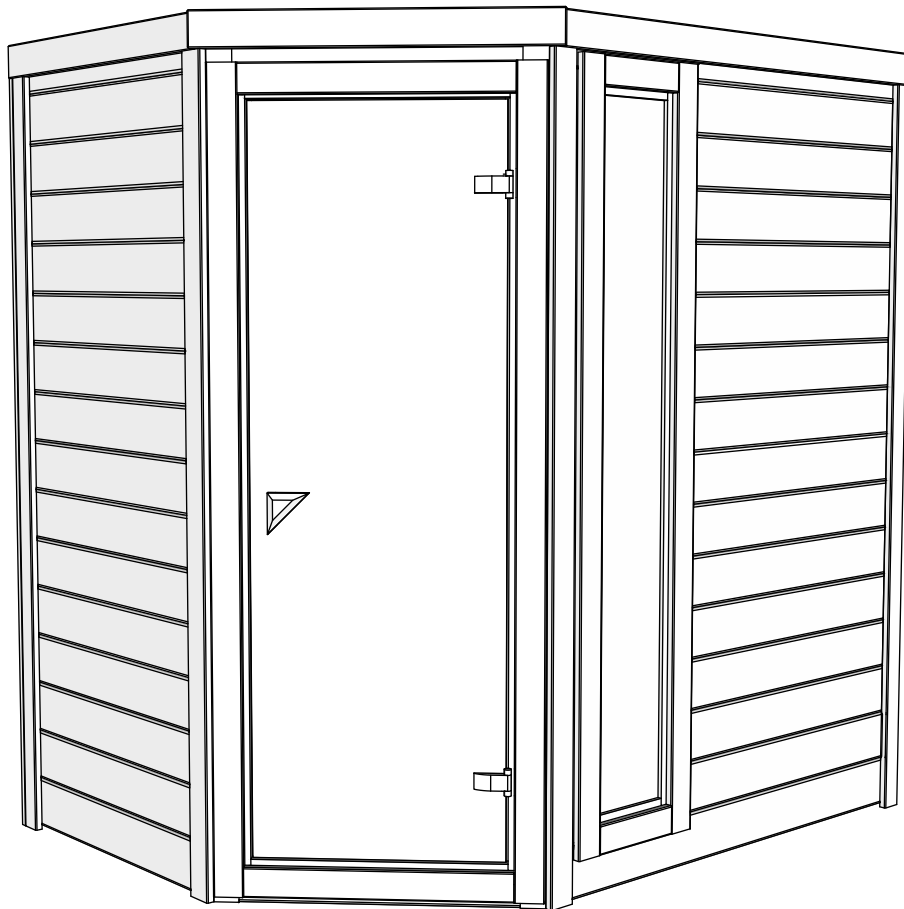


Assembly instructions



List of items needed:

Bubble level



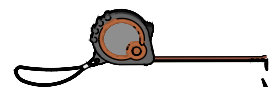
Drill



Rubber hammer

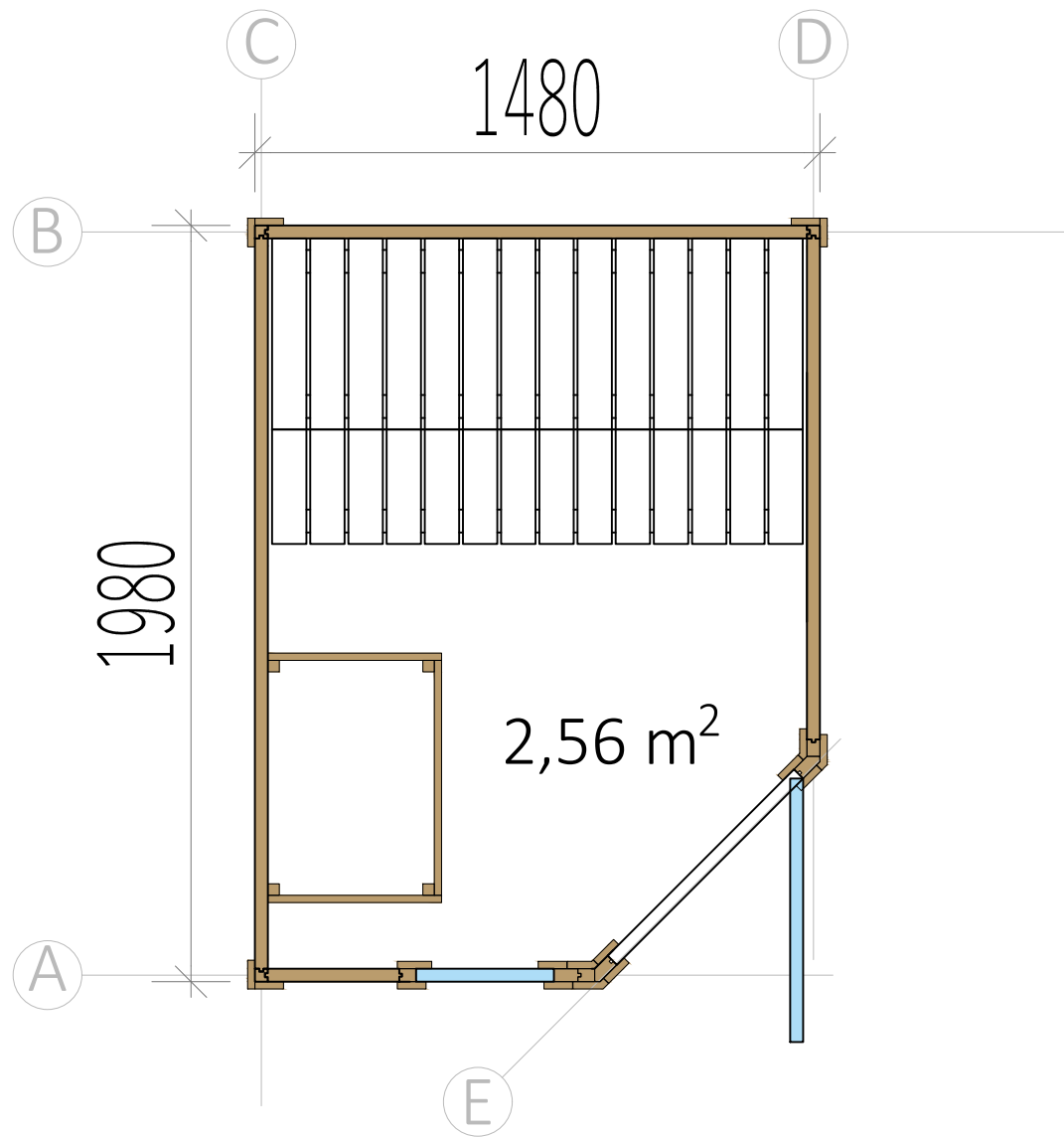


Measuring tape

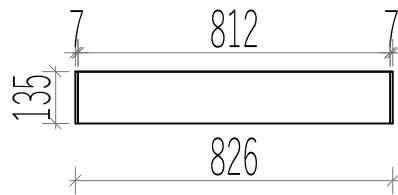


Hammer

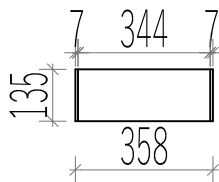




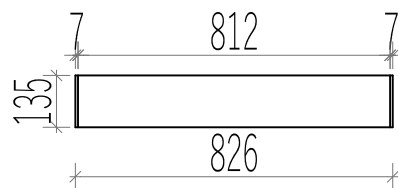
A1
1 vnt



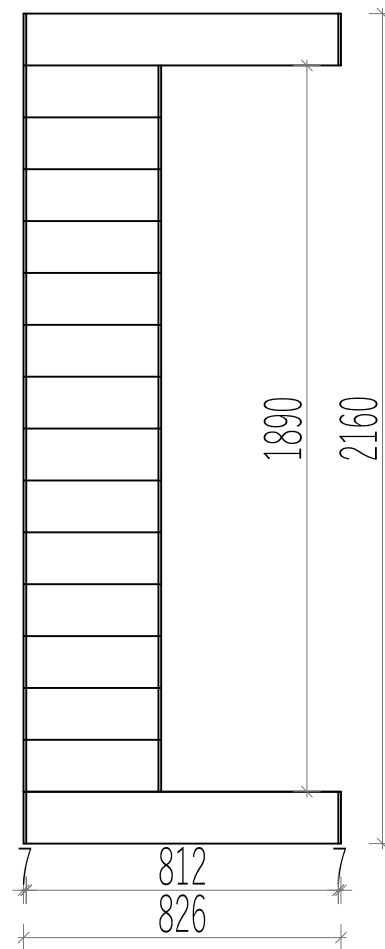
A2
14 vnt



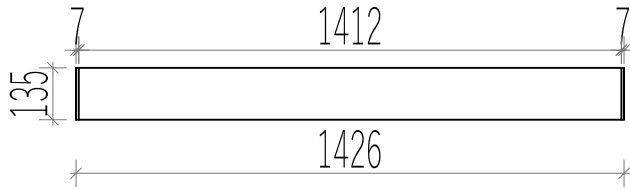
A3 NB
1 vnt



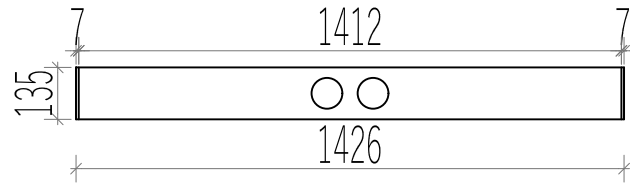
A3
A2
A2
A2
A2
A2
A2
A2
A2
A2
A2
A2
A2
A2
A2
A2
A1



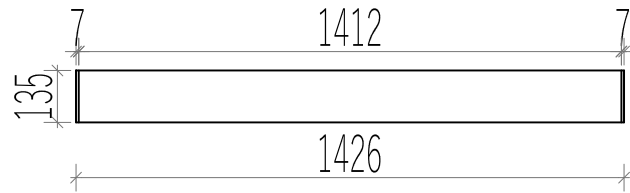
B1
14 vnt



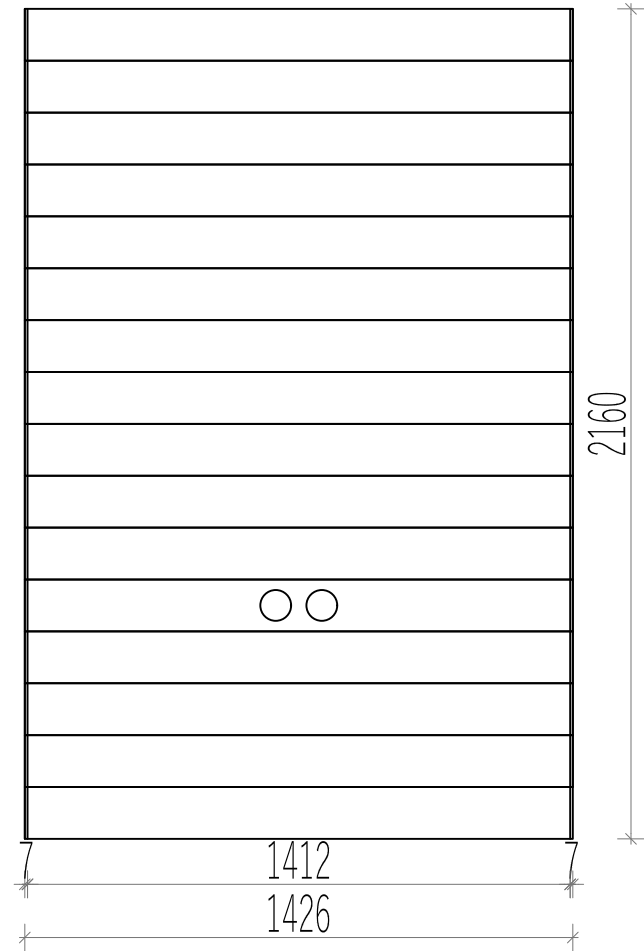
B2
1 vnt



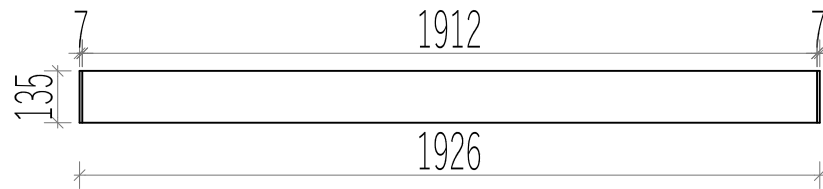
B3 NB
1 vnt



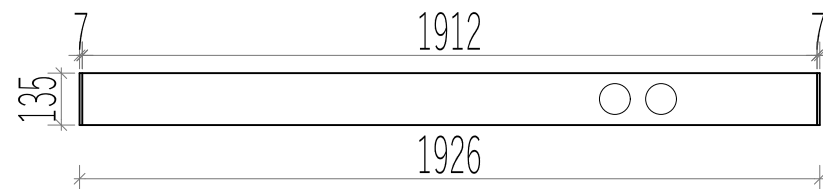
B3
B1
B1
B1
B1
B1
B1
B1
B1
B1
B1
B2
B1
B1
B1
B1



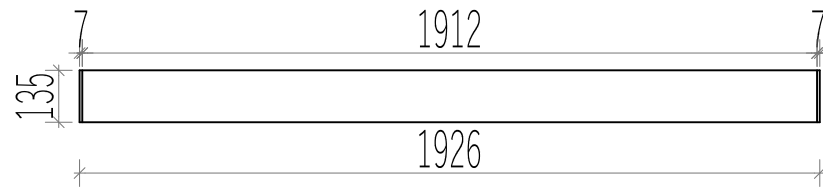
C1
14 vnt



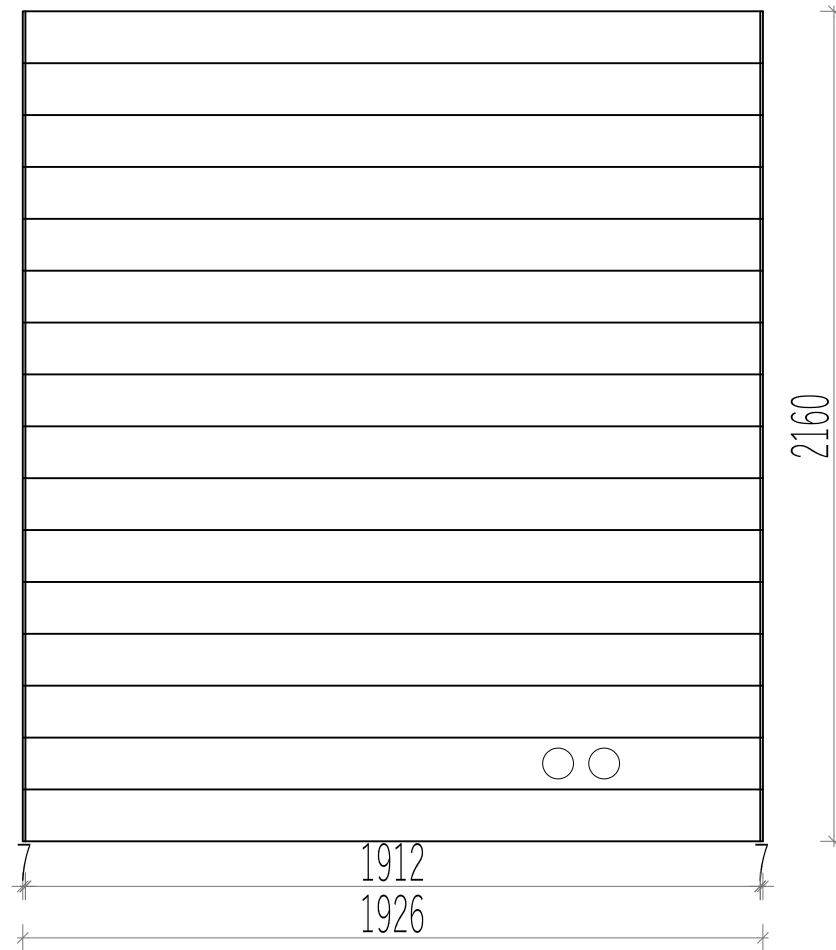
C2
1 vnt



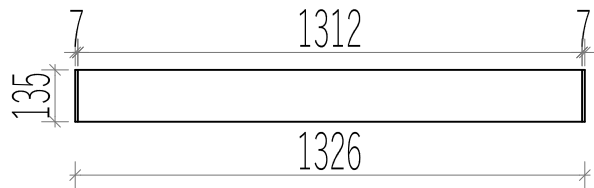
C3 NB
1 vnt



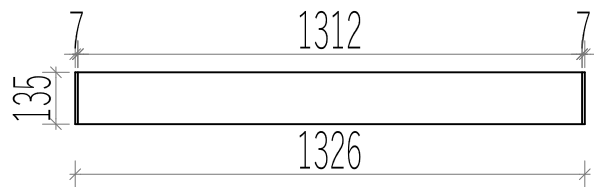
C3
C1
C1
C1
C1
C1
C1
C1
C1
C1
C1
C1
C1
C1
C1
C2
C1



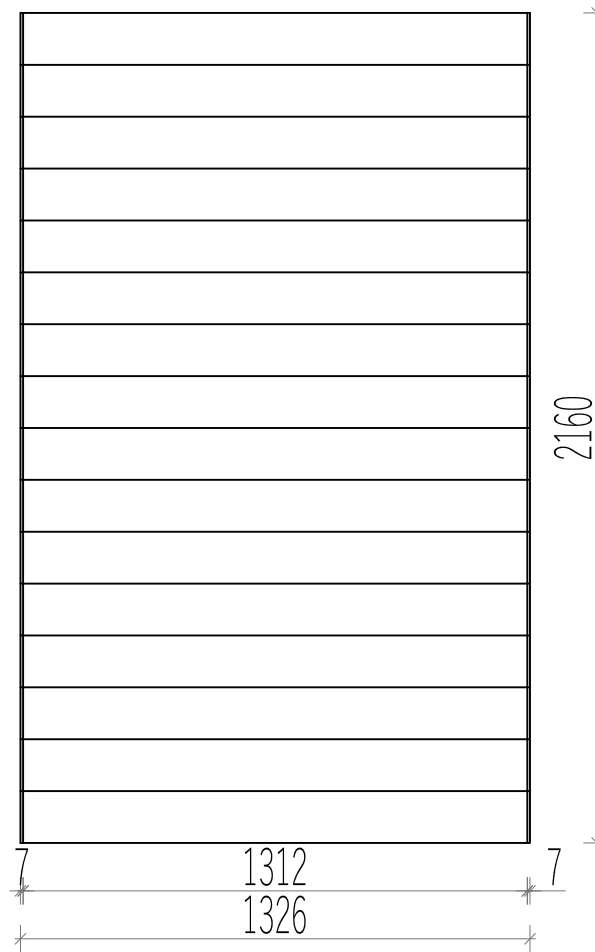
D1
15 vnt

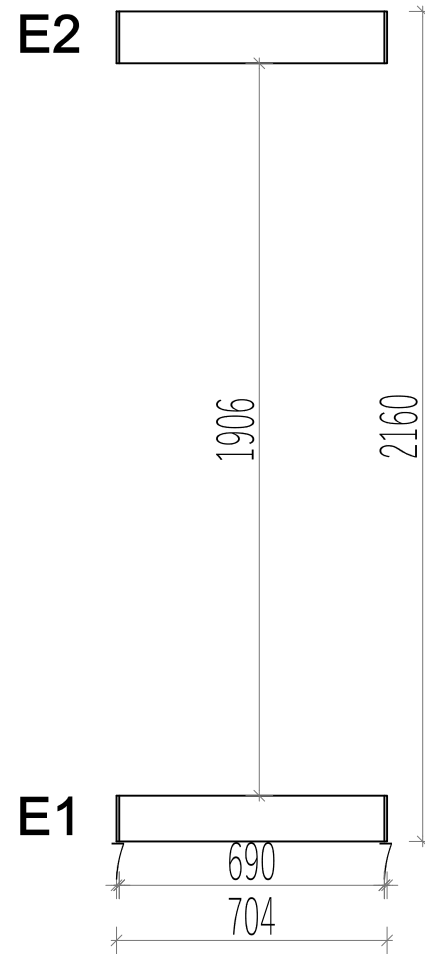
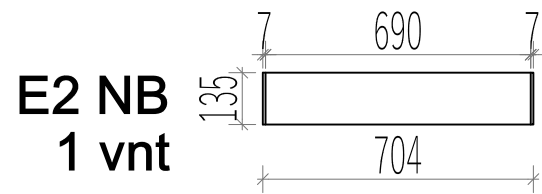
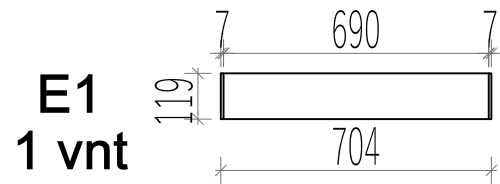


D2 NB
1 vnt








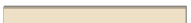



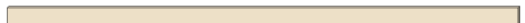

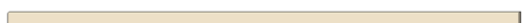







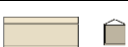



D2
D1
D1
D1
D1
D1
D1
D1
D1
D1
D1
D1
D1
D1
D1
D1
D1
D1

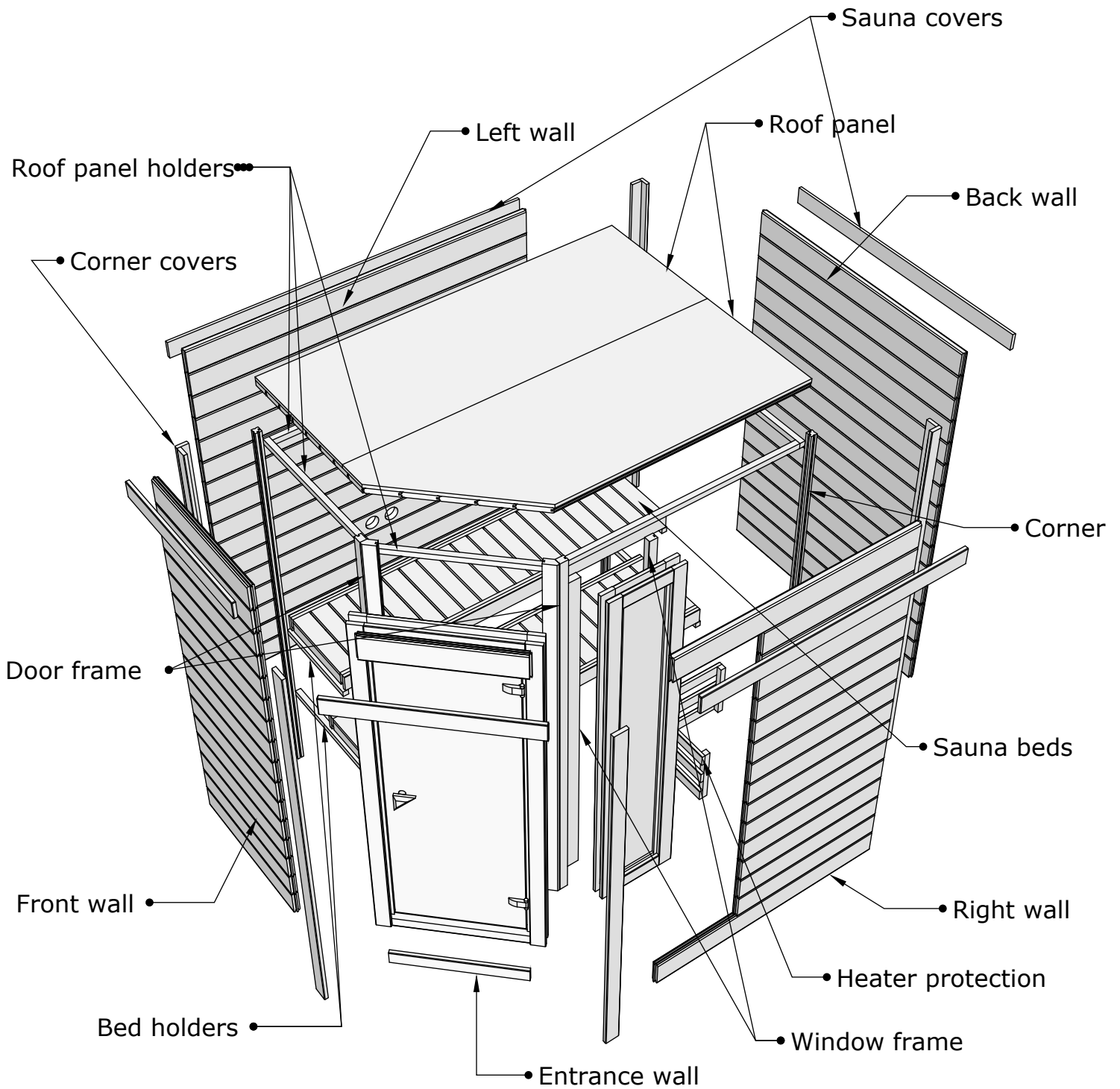




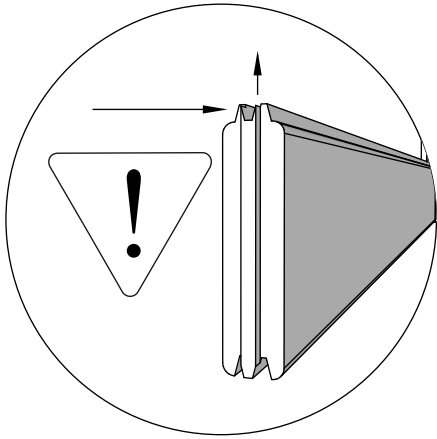
Bergamot v.1 Sauna						
Name	Width	Height	Length	Quantity	3D Front Axonometry	Side view
Front wall						
A1	34	135	826	1		
A2	34	135	358	14		
A3	34	135	826	1		
Back wall						
B1	34	135	1426	14		
B2	34	135	1426	1		
B3	34	135	1426	1		
Left wall						
C1	34	135	1926	14		
C2	34	135	1926	1		
C3	34	135	1926	1		
Right wall						
D1	34	135	1326	15		
D2	34	135	1326	1		
Entrance wall						
E1	34	119	704	1		
E2	34	135	704	1		
Heater protection parts						
Heater cover	615	500	-	1		
Heater cover	455	500	-	2		
Sauna beds						
Sauna bed	500	90	1400	2		
Bed holders						
Bed holder	30	30	500	2		
Bed holder	30	30	800	2		
Roof of sauna						
Roof panels	700	50	1900	2		

Roof panel holders						
Panel holder	30	30	785	1		
Panel holder	30	30	825	1		
Panel holder	30	30	1324	1		
Panel holder	30	30	1380	1		
Panel holder	30	30	1910	1		
Sauna Corners						
Corners	34	34	2160	3		⊞
Corner covers						
Covers	75	19	2085	6		
Crown for roof covering						
Cover	90	19	890	1		
Cover	90	19	910	1		
Cover	90	19	1400	1		
Cover	90	19	1500	1		
Cover	90	19	1980	1		
Door corner cover						
Spec. part	21	80	2085	2		⌋
Spec. part	26	92	2085	2		⌋
Brackets for doors and windows						
Frame bracket	34	44	1881	1		⌋
Frame bracket	34	44	2160	2		
Frame bracket	34	70	1881	1		
Cover for heater wires						
Wire cover	140	34	1820	1		⌋
Door frame						
Frame bracket	34	70	2160	2		⌋
Doors and windows						
Sauna door	690	1912	-	1		
Sauna window	361	1890	-	1		
Other accessories for sauna building						
Box of screws	-	-	-	1		
Sealing tape	-	-	-	1		

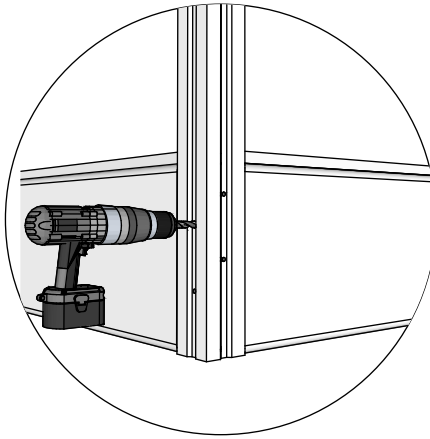
Introduction of sauna parts



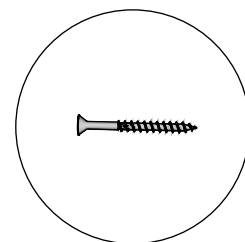
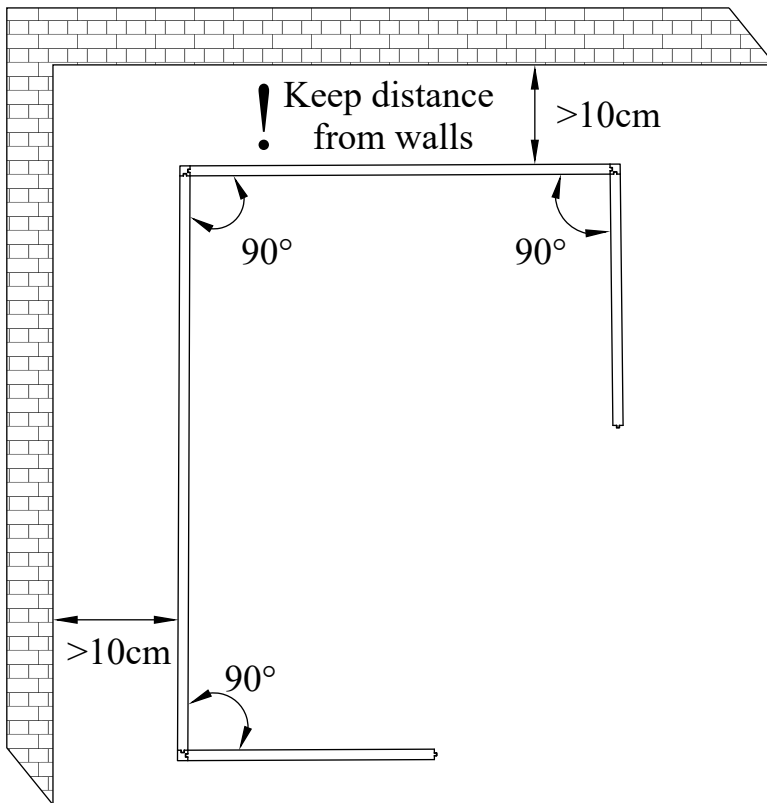
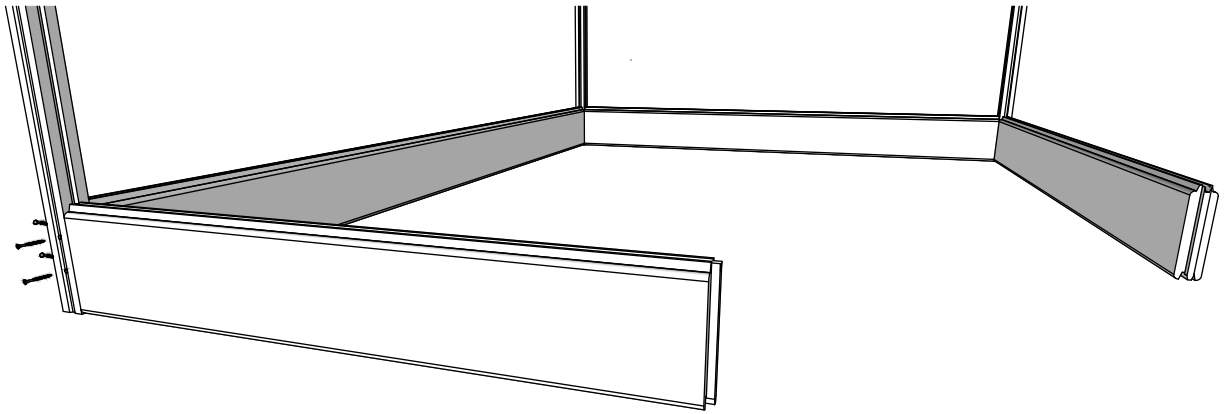
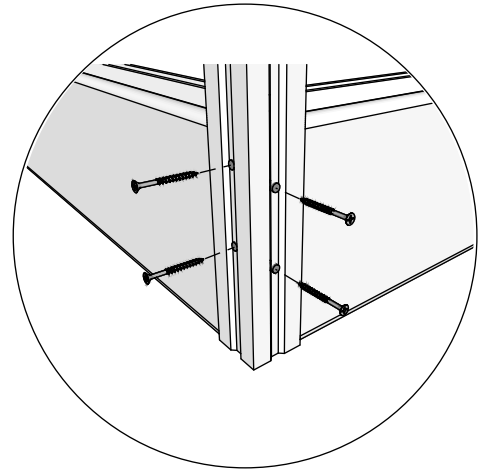
Pay attention to the position of the part



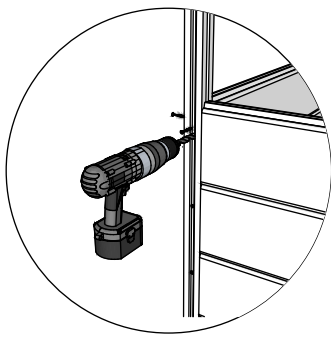
Pre-drill holes for screws



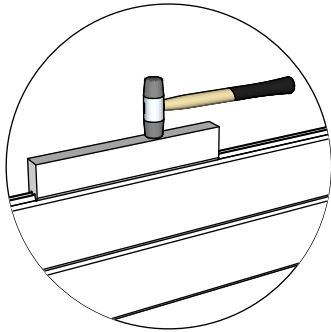
Drive the screw in pre-drilled holes



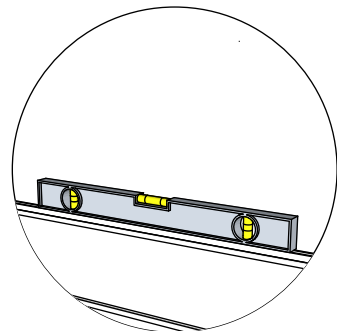
5x80mm for fastening corners to walls



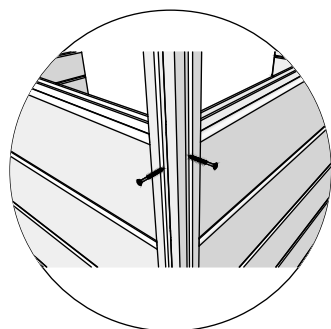
Pre-drill holes
for screws



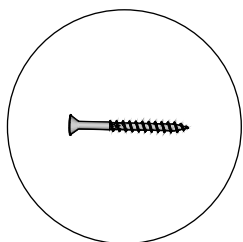
Use rubber hammer
for wall parts



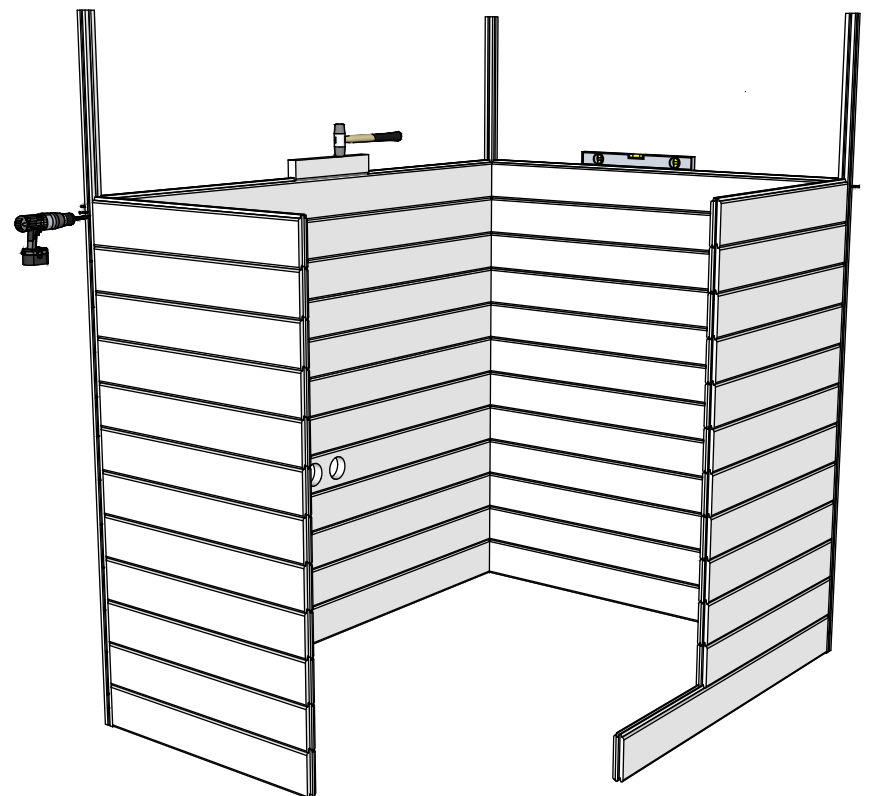
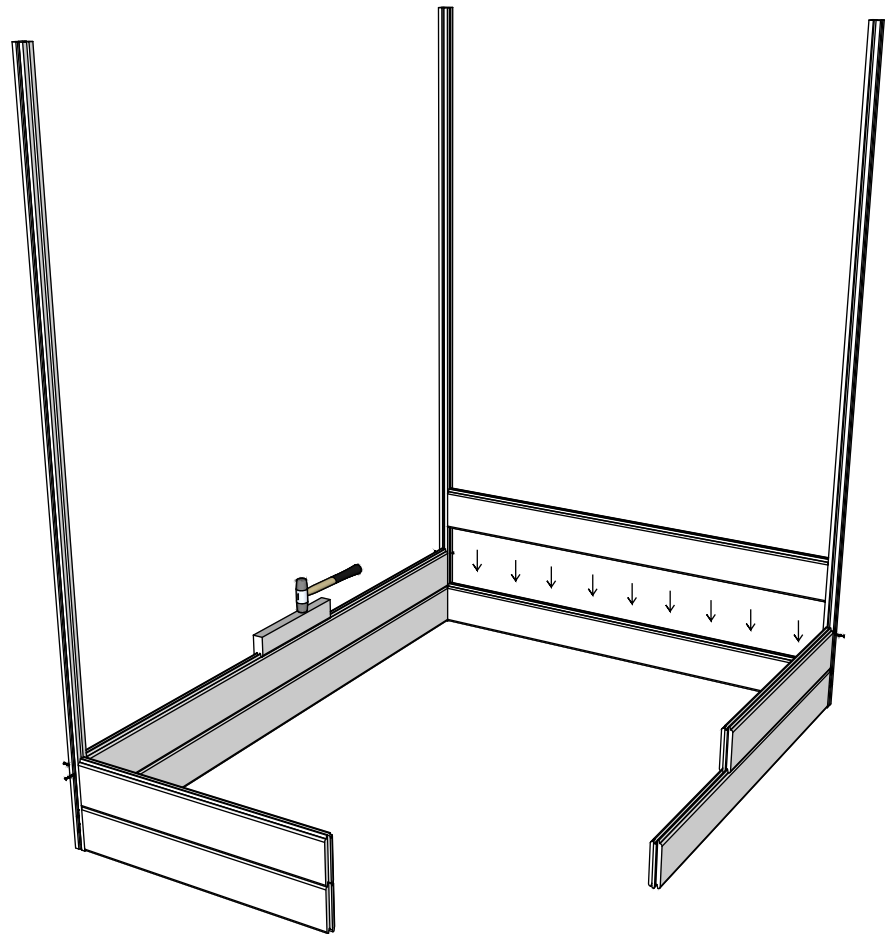
Make sure to level for
better building accuracy

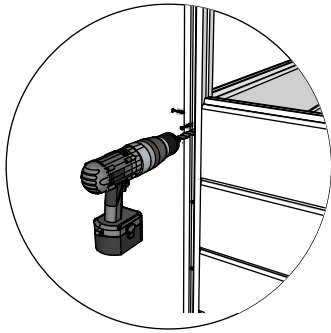


Drive the screw in pre-
drilled holes

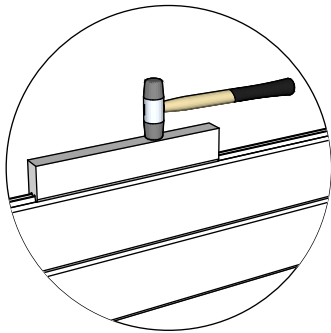


5x80mm for fastening
corners to walls

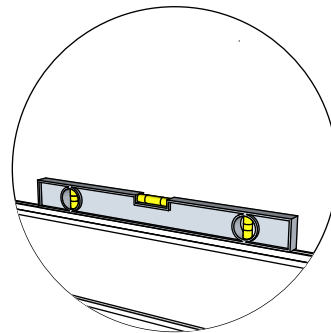




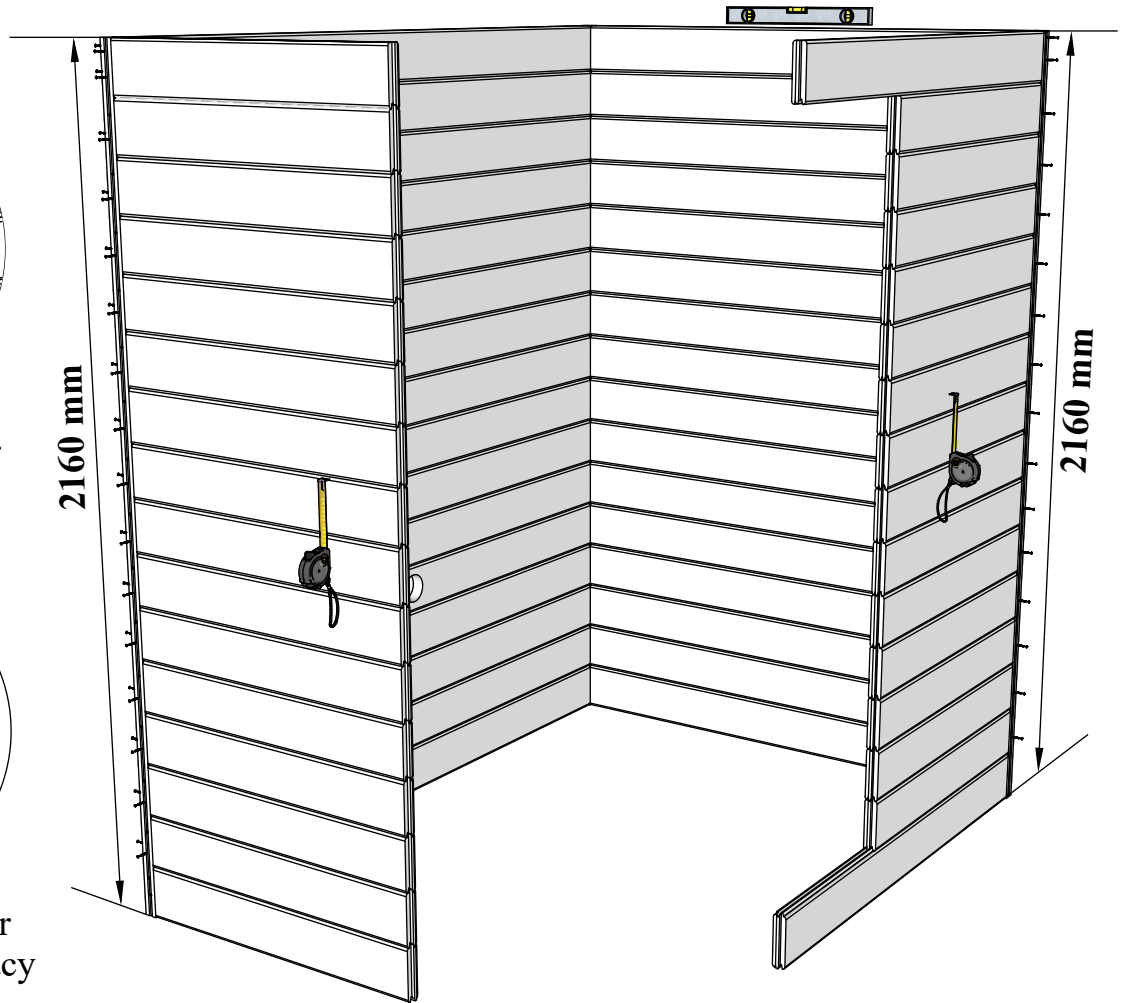
Pre-drill holes
for screws



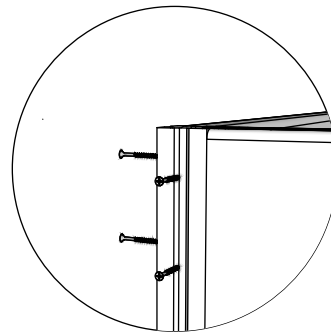
Use rubber hammer
for wall parts



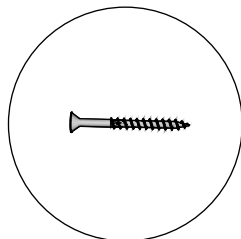
Make sure to level for
better building accuracy



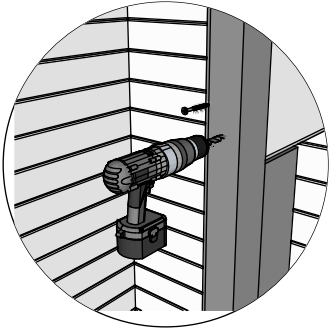
Make sure that the height of the sauna is 2160 mm



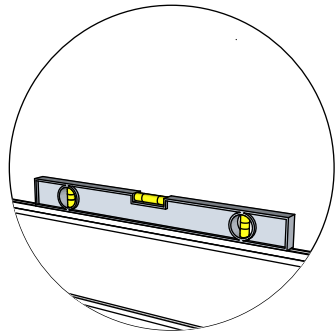
Drive the screw in pre-
drilled holes



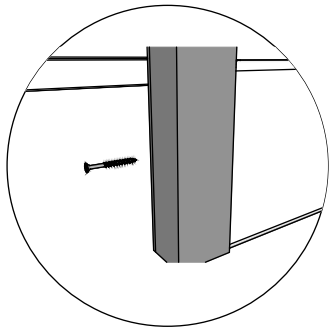
5x80mm for fastening
corners to walls



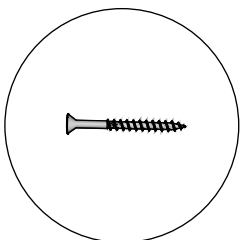
Pre-drill holes
for screws



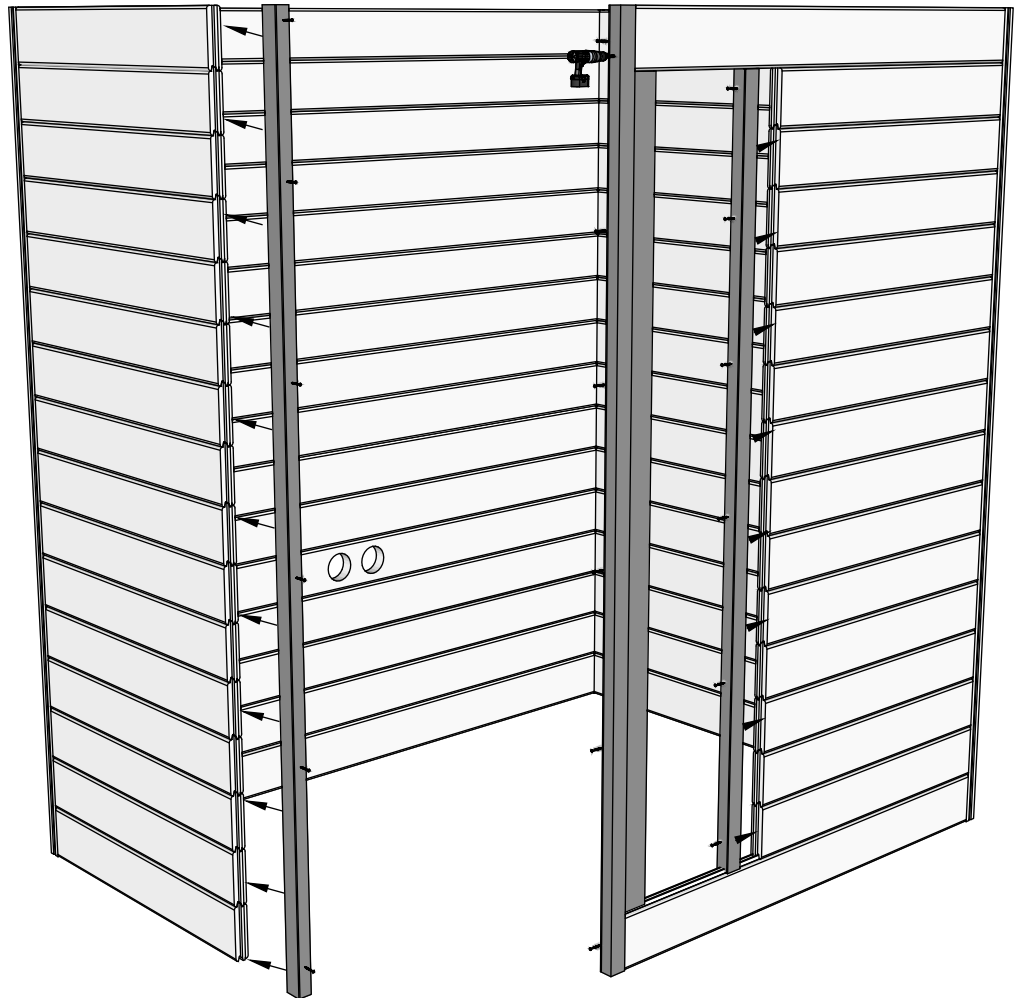
Make sure to level for
better building accuracy



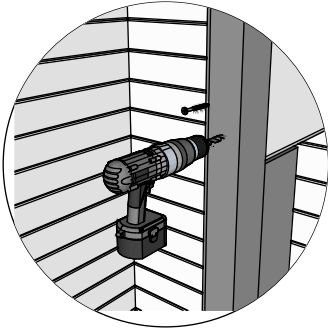
Drive the screw in pre-drilled
holes on the frame brackets



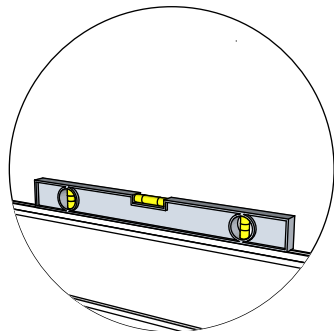
5x100mm for door/window frame
brackets



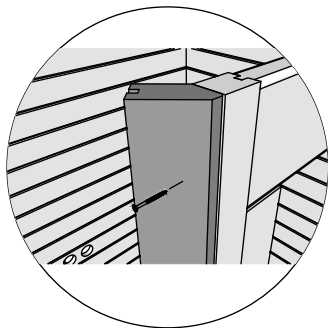
- 1. Install the door and window frame brackets in the locations indicated on the original plan.**
- 2. Pre-drill holes for screws**
- 3. Drive the screw in pre-drilled hole**



Pre-drill holes
for screws



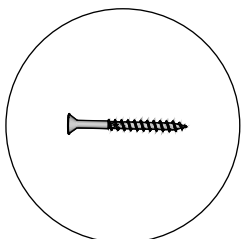
Make sure to level for
better building accuracy



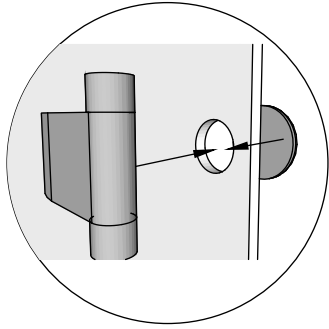
Drive the screw in pre-drilled
holes on the frame brackets



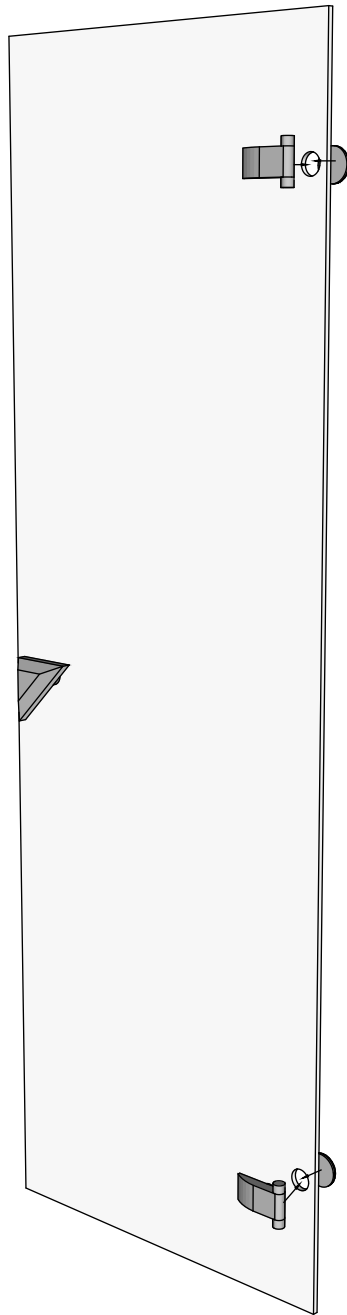
- 1. Install the door frame brackets (which is cut 45°) in the opening where door frame bracket is.**
- 2. Pre-drill holes for screws**
- 3. Drive the screw in pre-drilled hole**
- 4. Don't forget to place entrance wall bottom part.**



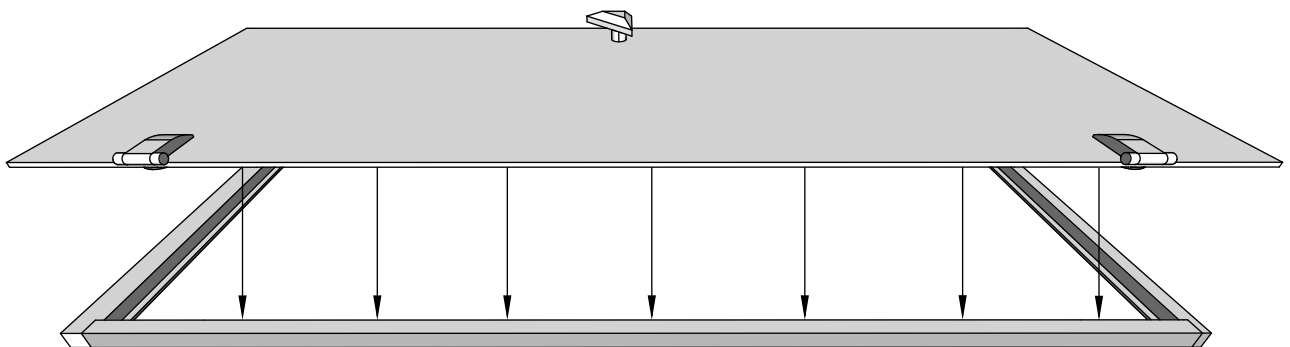
5x100mm for 45 degree door frame
brackets



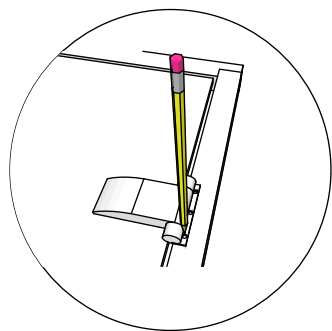
Insert the hinges into the door glass



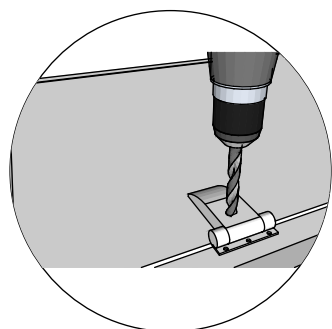
- 1. Insert the hinges into the door glass.**
- 2. After that put the door glass in the door frame that is factory assembled**



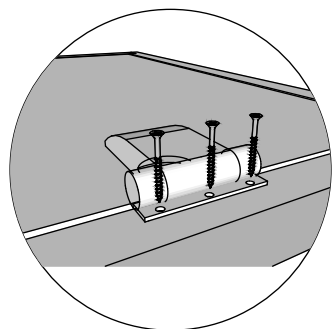
! Make sure the glass is centered between the door frame



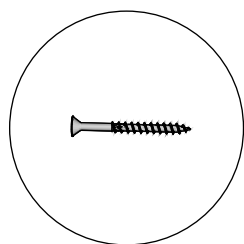
Mark places for drilling



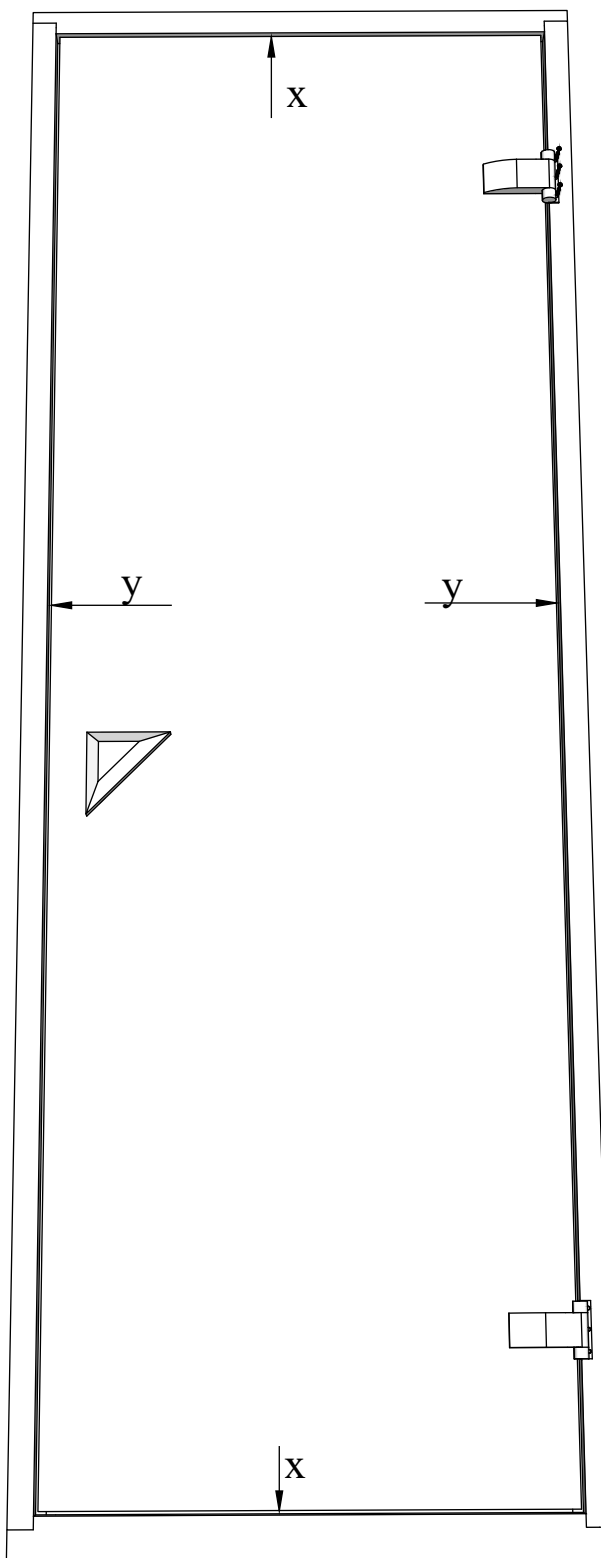
Drill the marked points for the hinges



Screw hinges to door frame

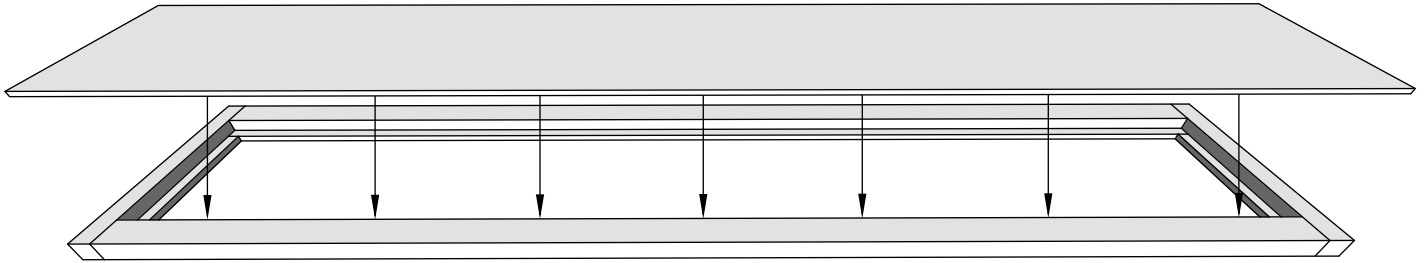


3x35mm for fastening hinges

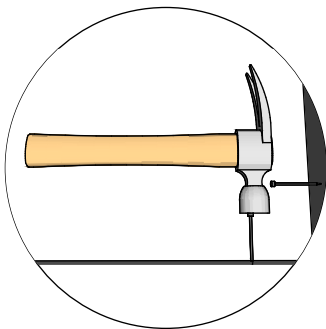
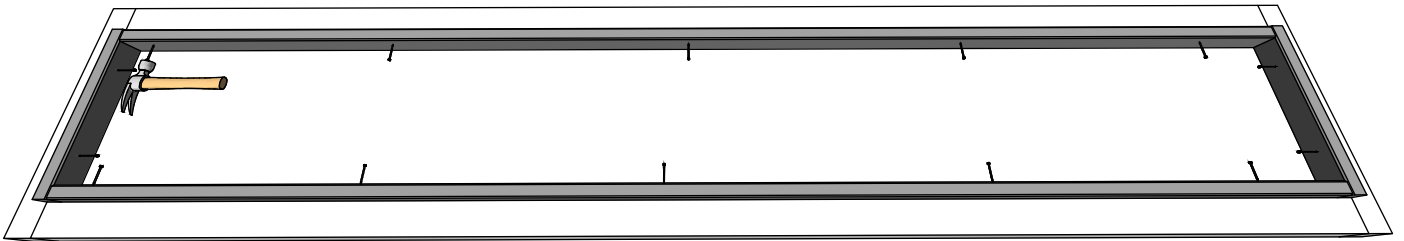


$x=x$

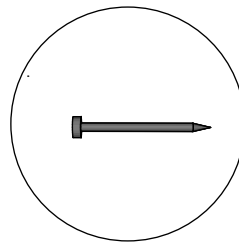
$y=y$



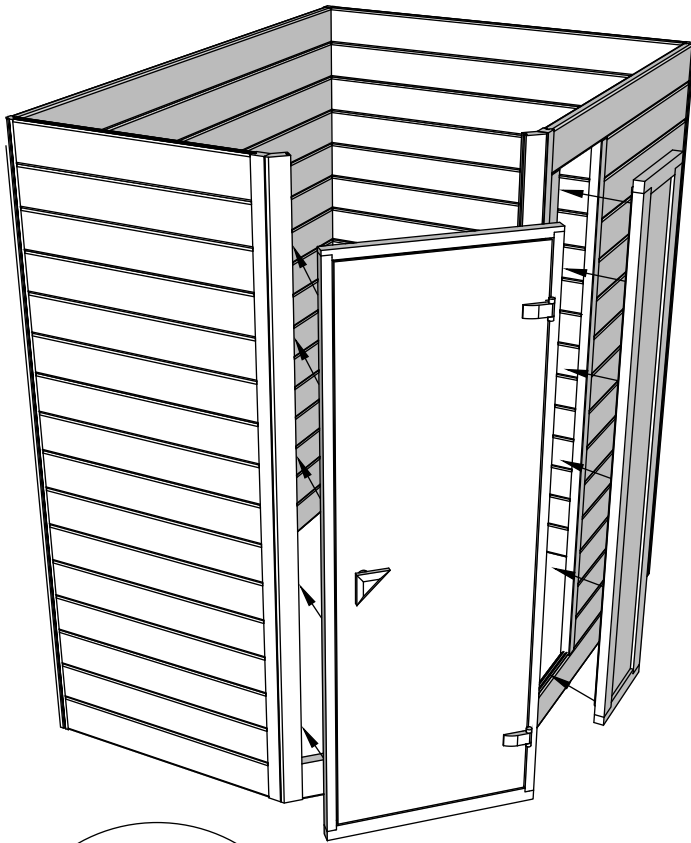
- 1. Put the glass in the frame brackets**
- 2. Center the glass**
- 3. Nail the window surrounds to the frame**



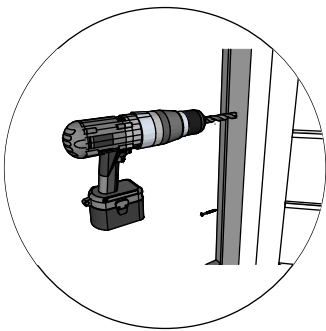
Nail the window surrounds to the frame



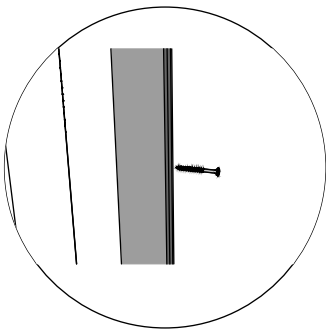
2x30mm glass covers



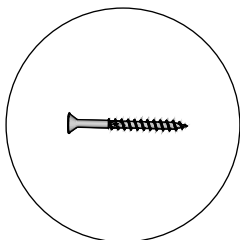
**Place the door and window in
between the frame you attached
earlier**



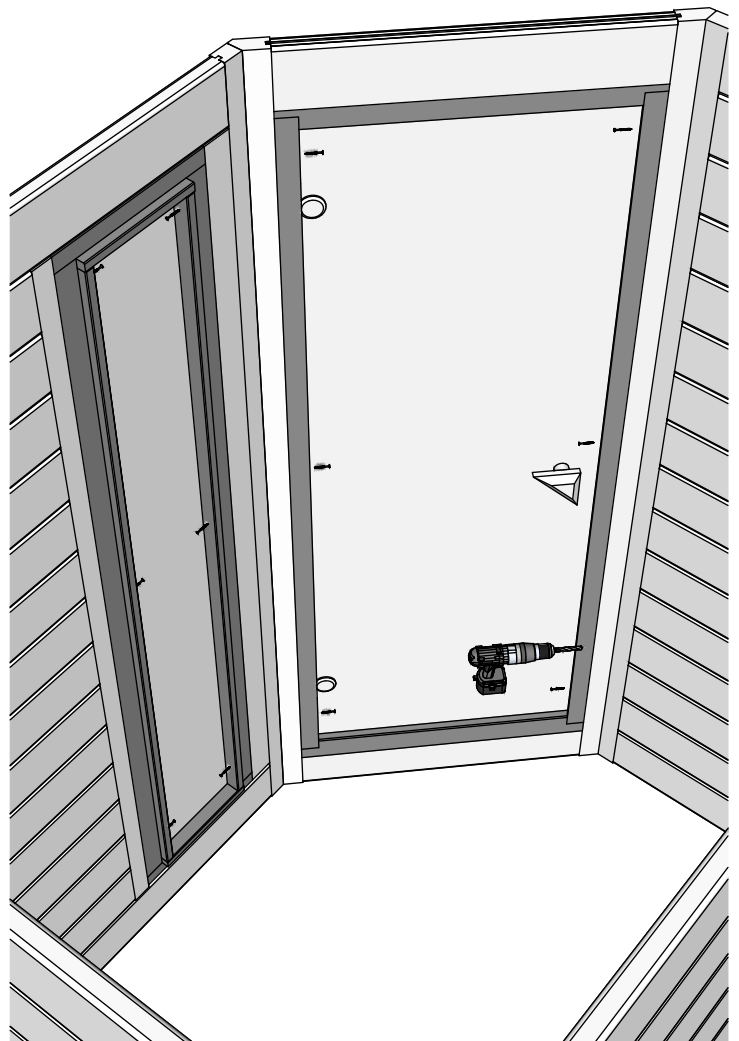
**Pre-drill holes
for screws**

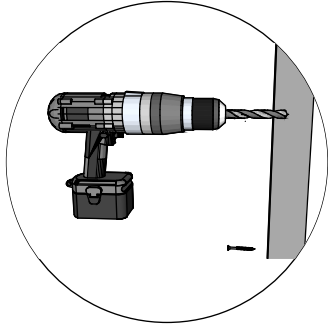


**Drive the screw in pre-
drilled hole**

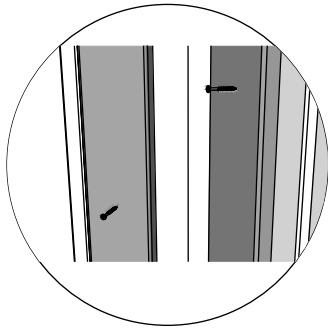


**5x100mm for fastening door
frame**

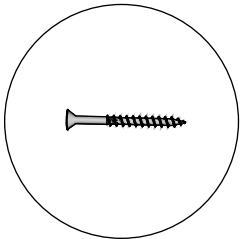




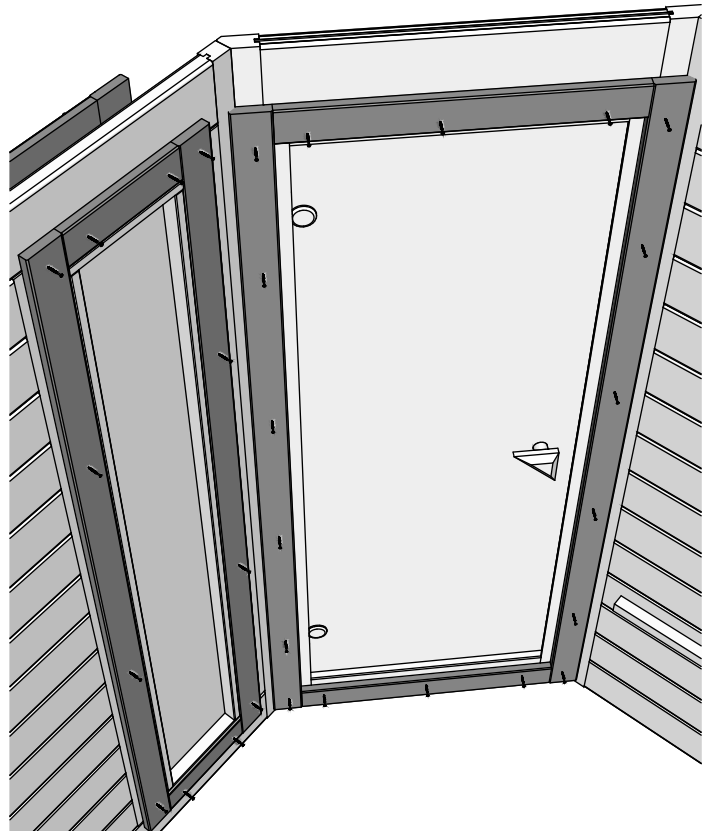
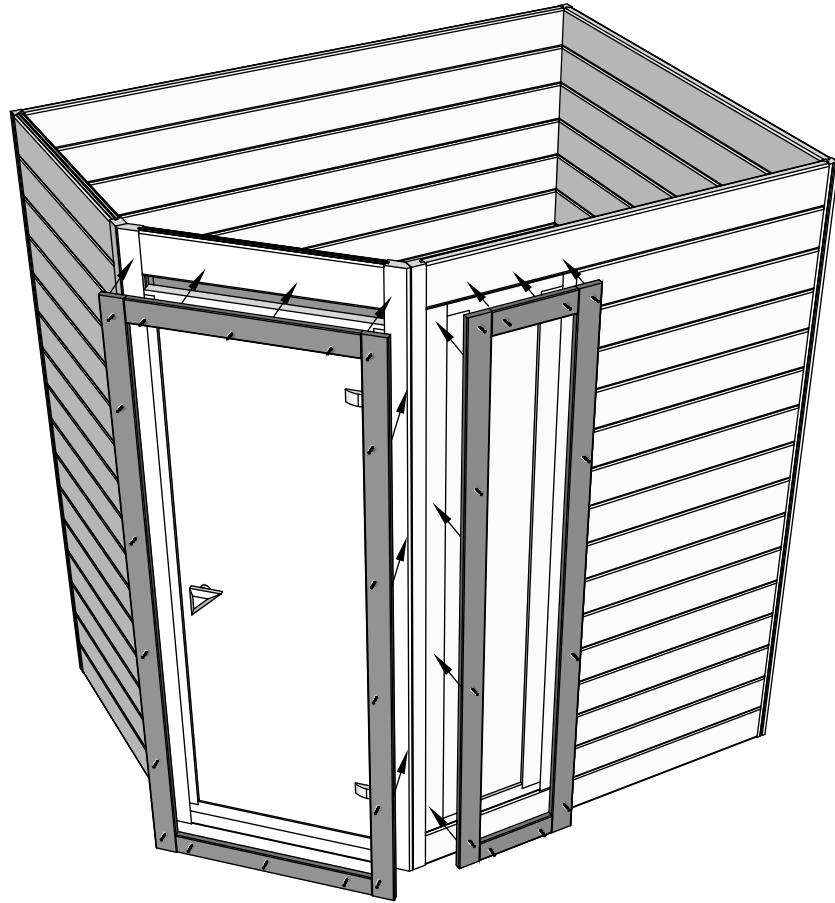
Pre-drill holes
for screws

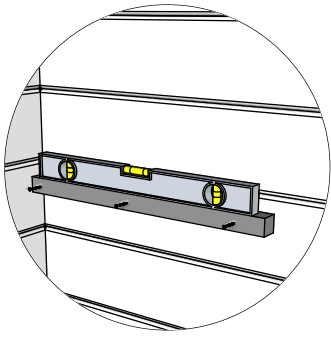


Drive the screw in pre-
drilled hole

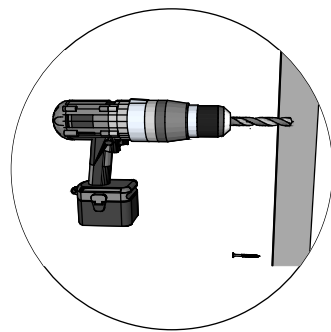


3x35mm for fastening door and
window frame covers

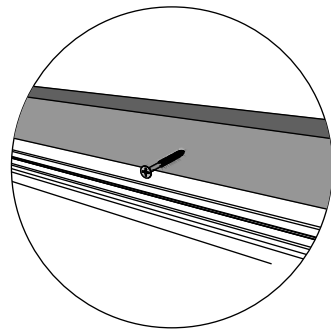




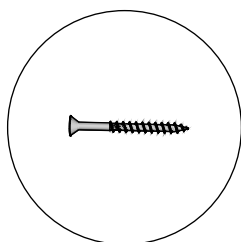
Make sure to level when installing bed holders



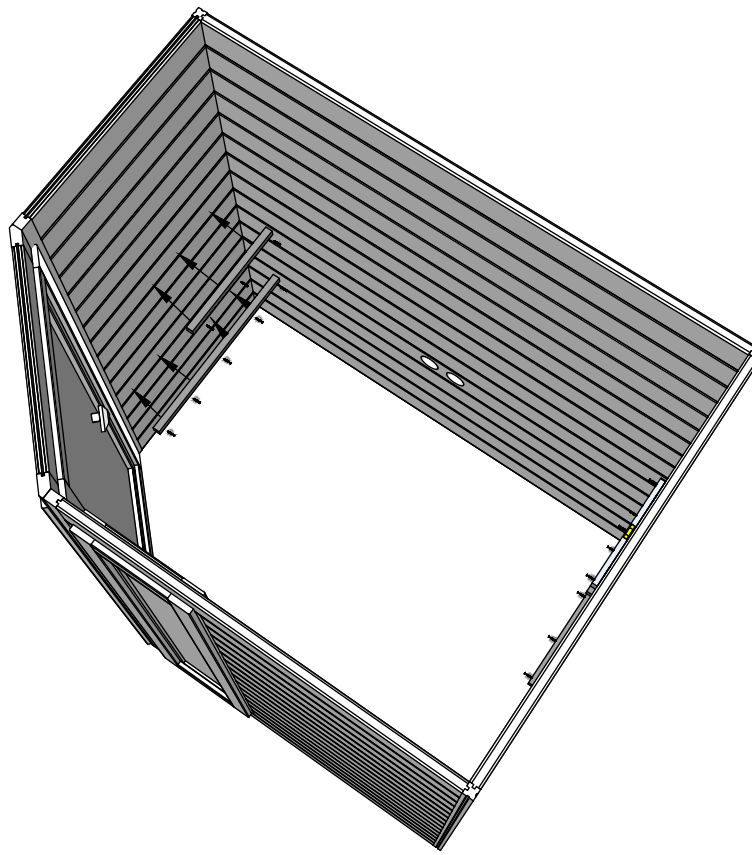
Pre-drill holes for screws



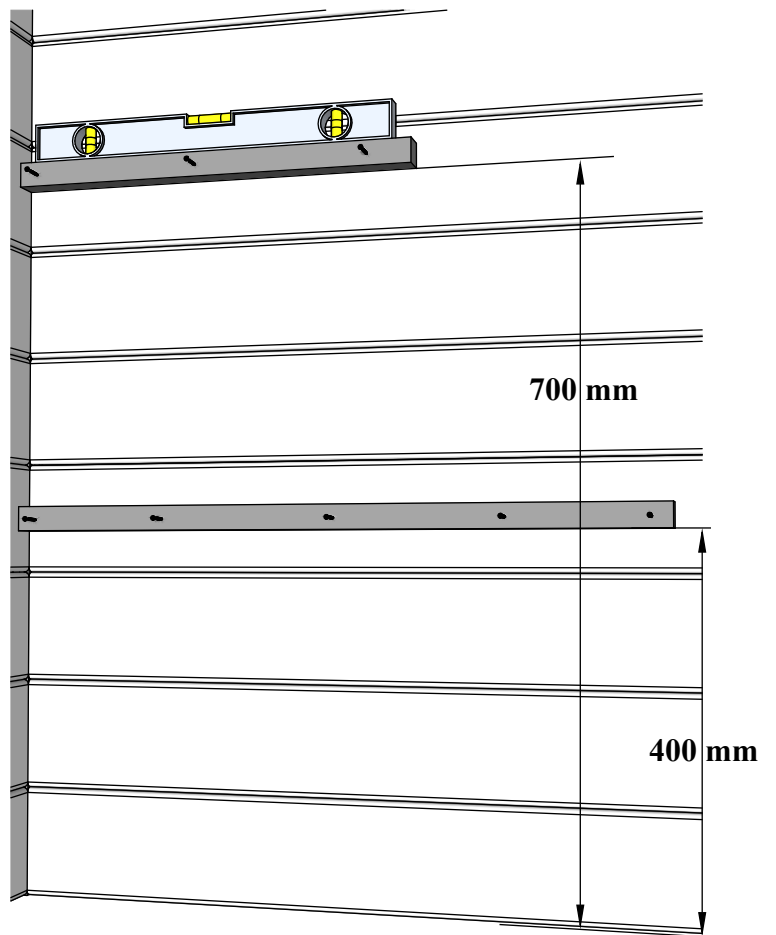
Drive the screw in pre-drilled hole

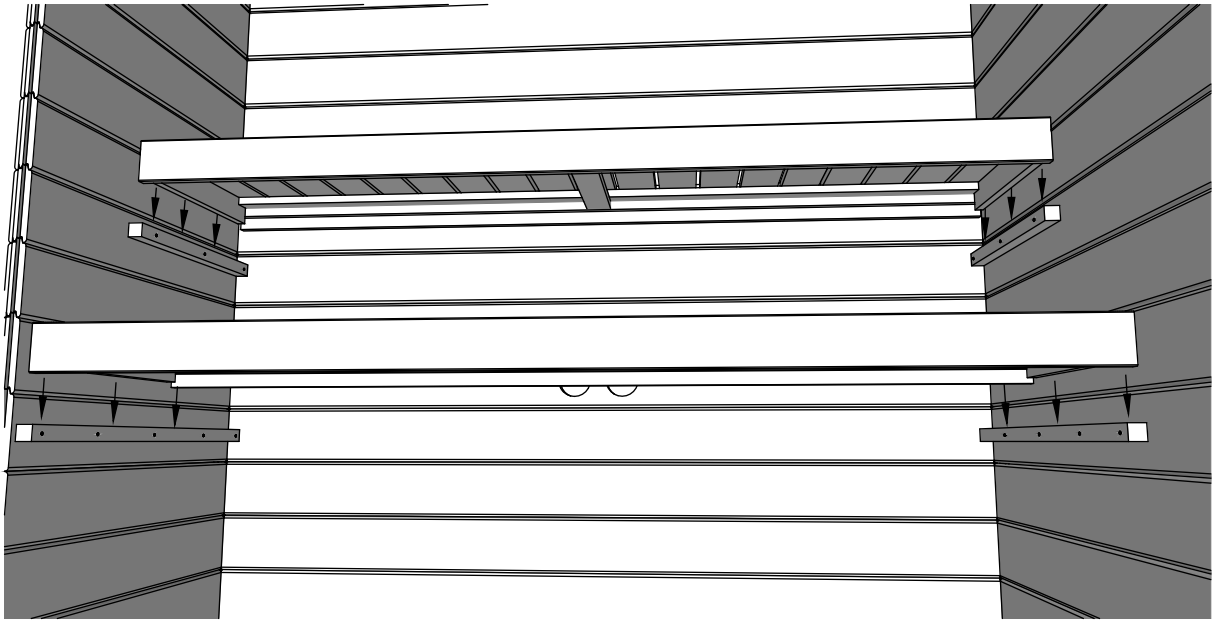


5x55mm for fastening bed holders

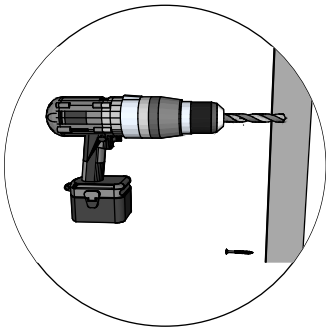


The recommended height for bed holder installation is 700mm for upper bed holder and 400mm for lower bed holder, but you can customize it according to you

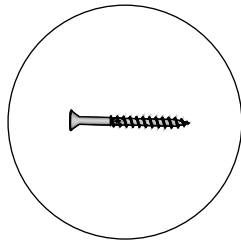




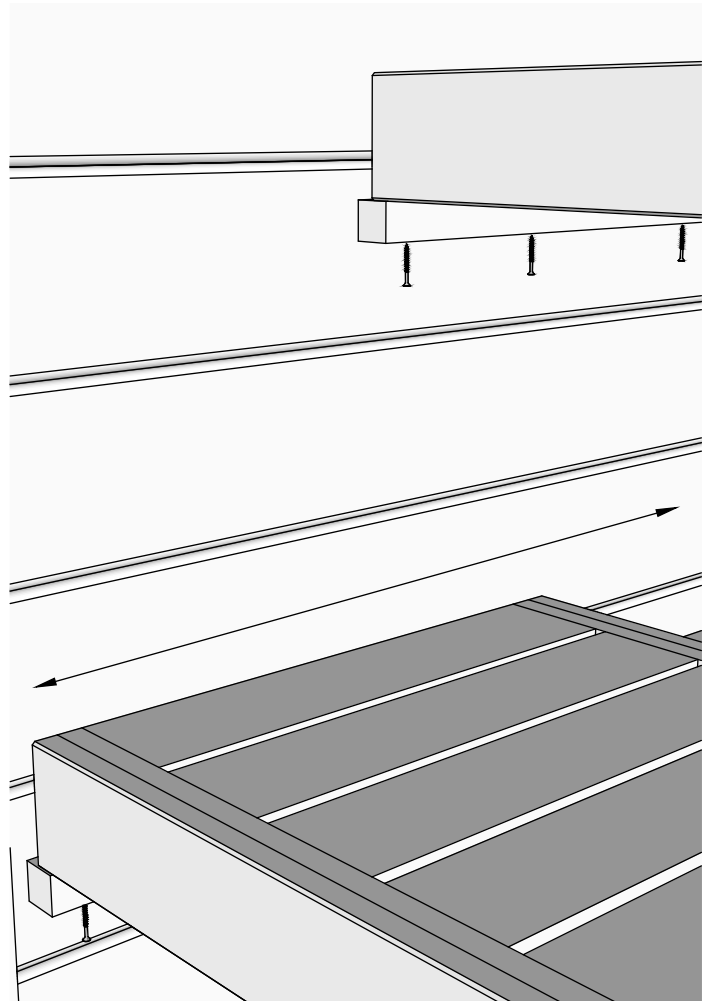
**Place the upper sauna bed on the holder and fasten with screws.
We recommend to leave the lower sauna bed loose so you can adjust it
if needed**



Pre-drill holes
for screws

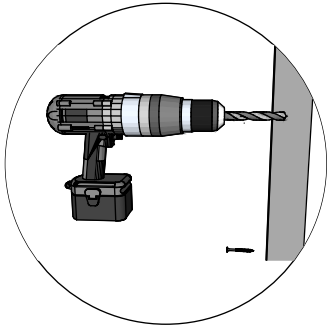


5x55mm for
fastening sauna
beds

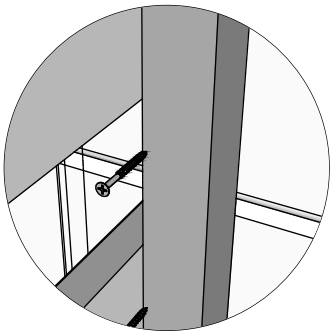


Use screws to fasten sauna
bed in pre-drilled holes

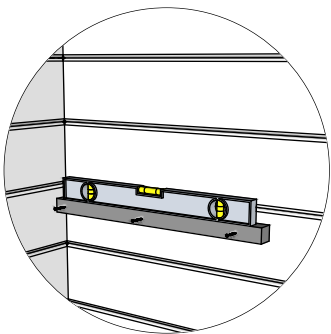
Sauna heater protection assemble and installation



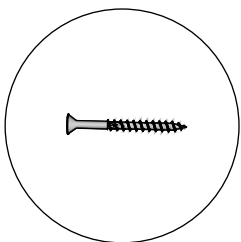
Pre-drill holes
for screws



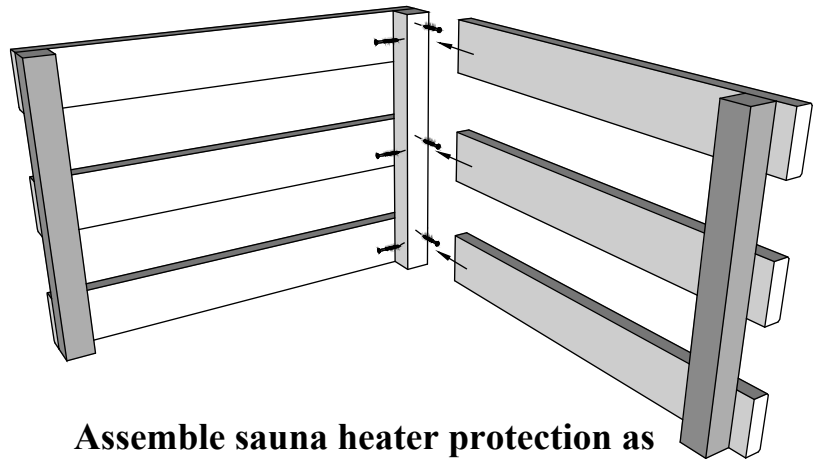
Drive the screw in pre-
drilled hole



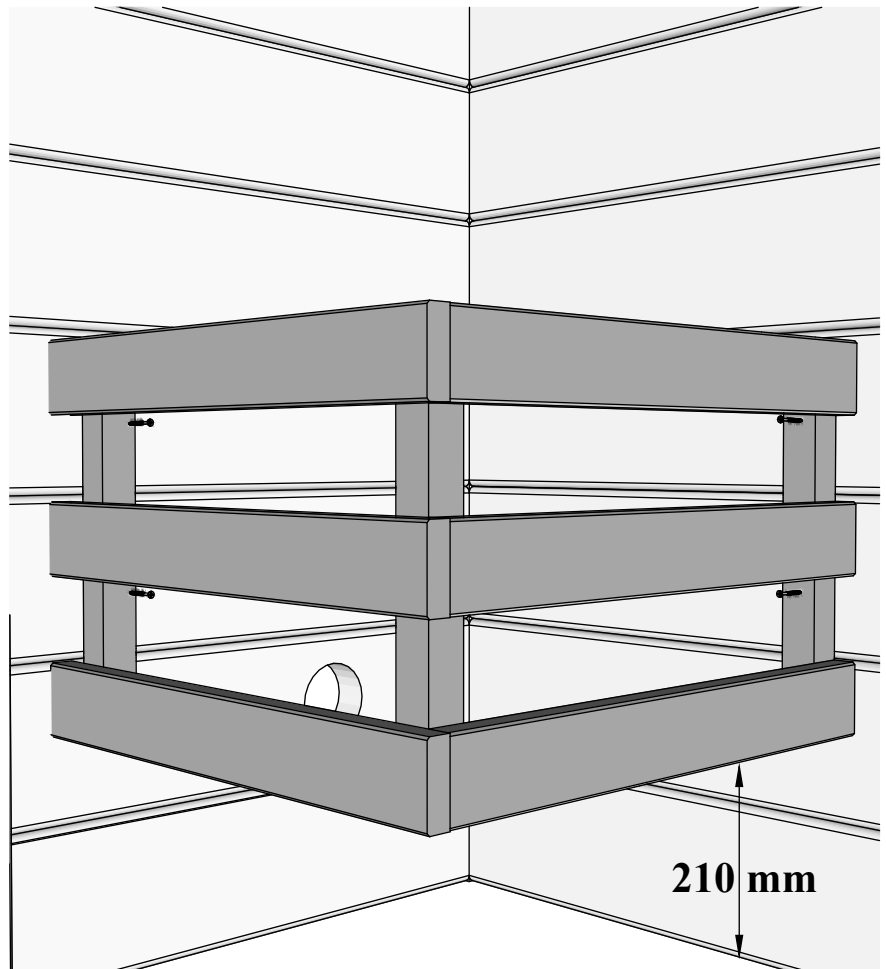
Make sure to level when
installing heater protection



4x45mm for fastening sauna
heater protection
4x45mm for fastening sauna
heater protection to wall

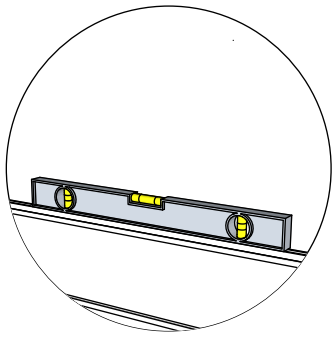


Assemble sauna heater protection as
shown in the picture above

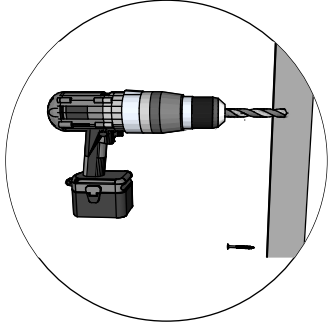


If possible, adjust the height of the heater protection
according to the heater purchased. If not use default
installation height.

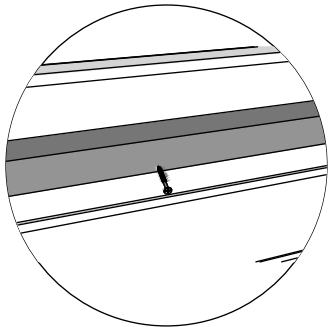
**Default installation height of heating protection is
210 mm above floor level.**



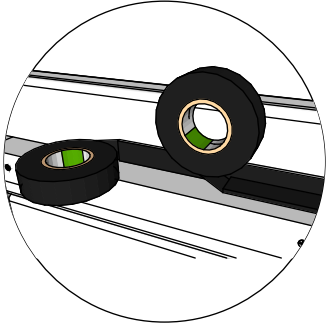
Make sure to level for better building accuracy



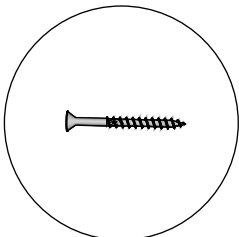
Pre-drill holes for screws



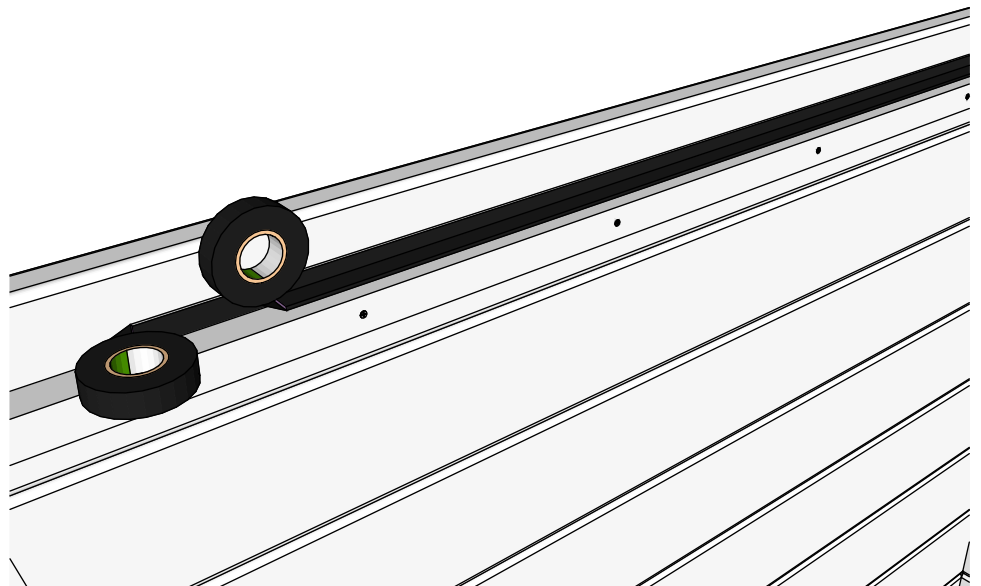
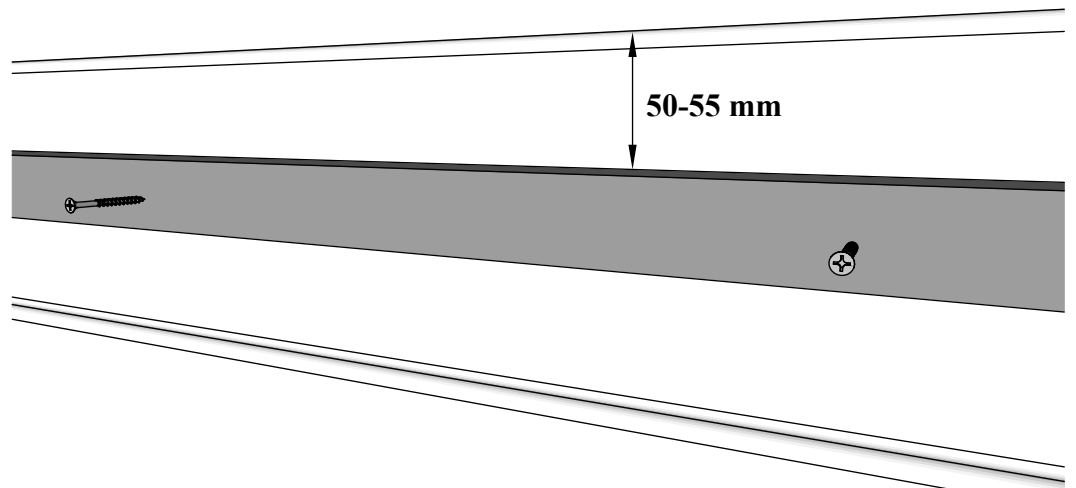
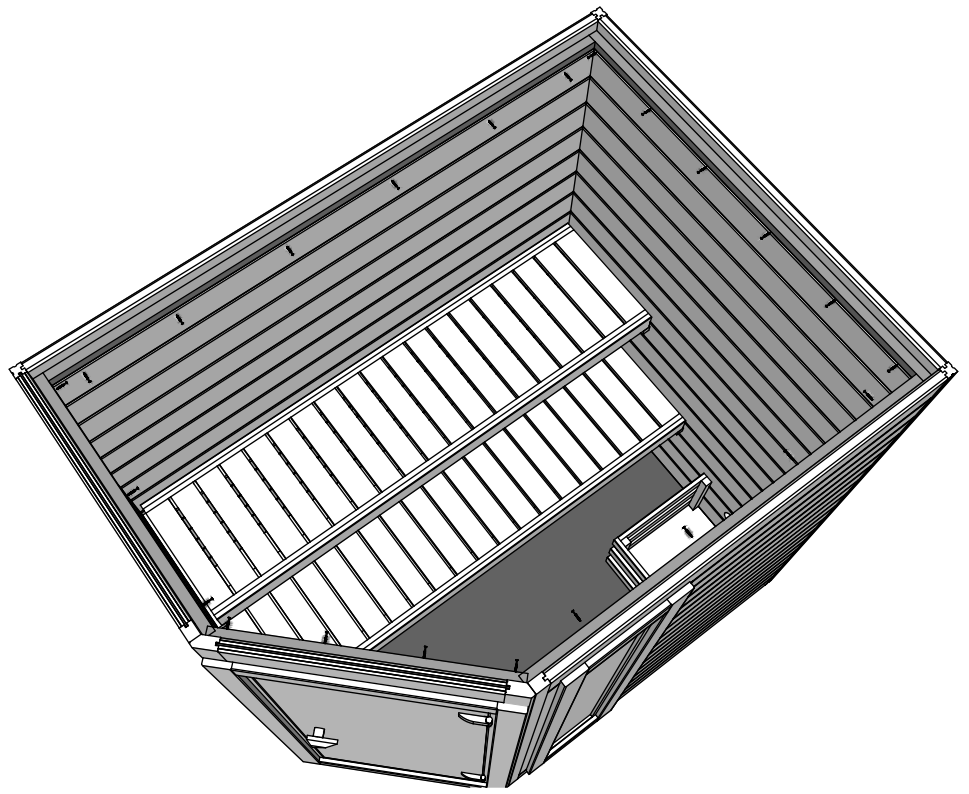
Drive the screw in pre-drilled hole

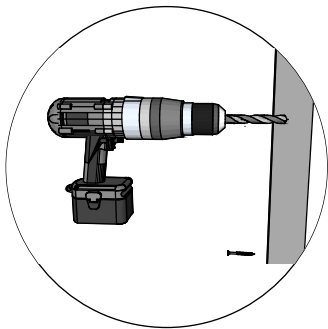
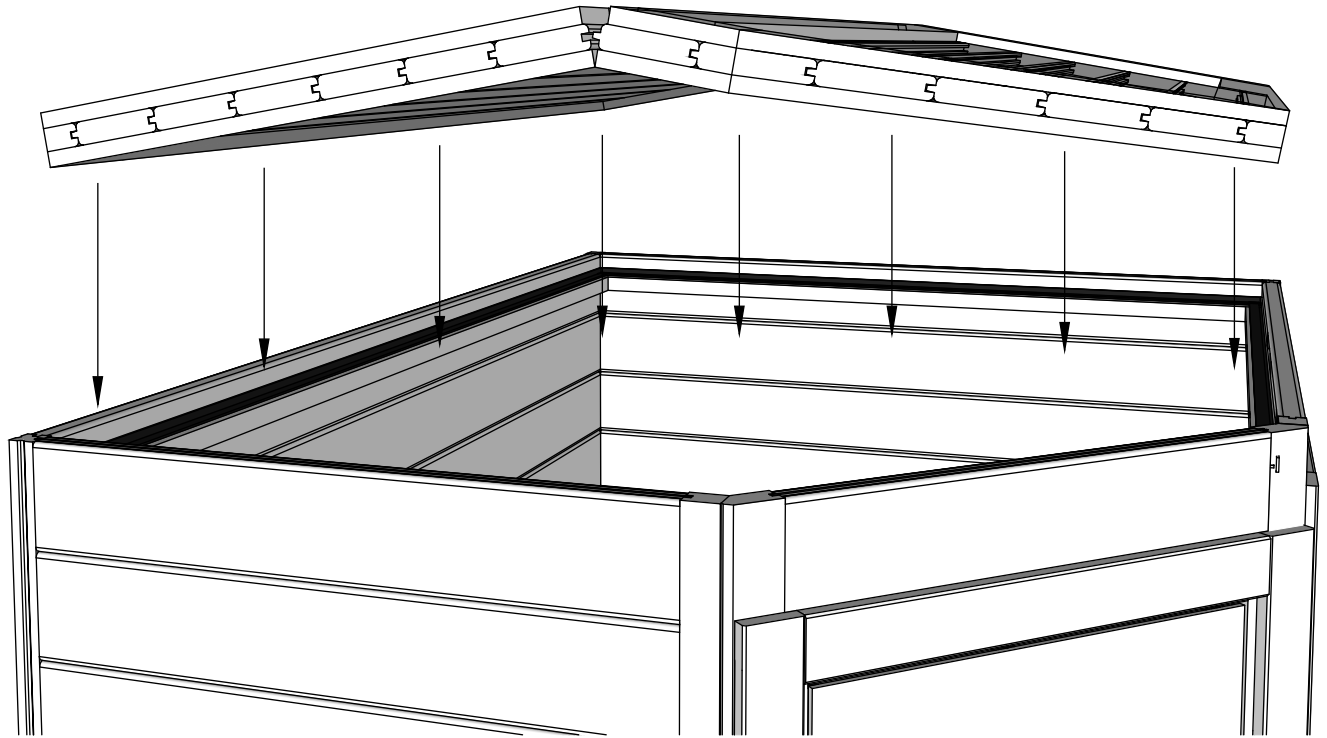


Apply sealing tape on roof panel holders

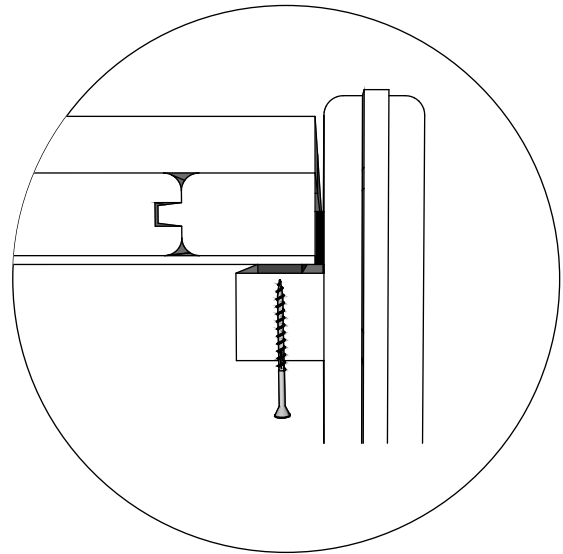


4x45mm for fastening panel holders

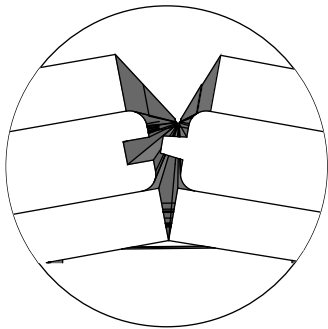




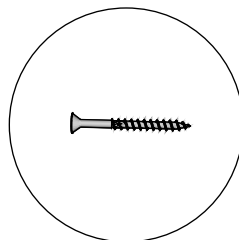
Pre-drill holes
for screws



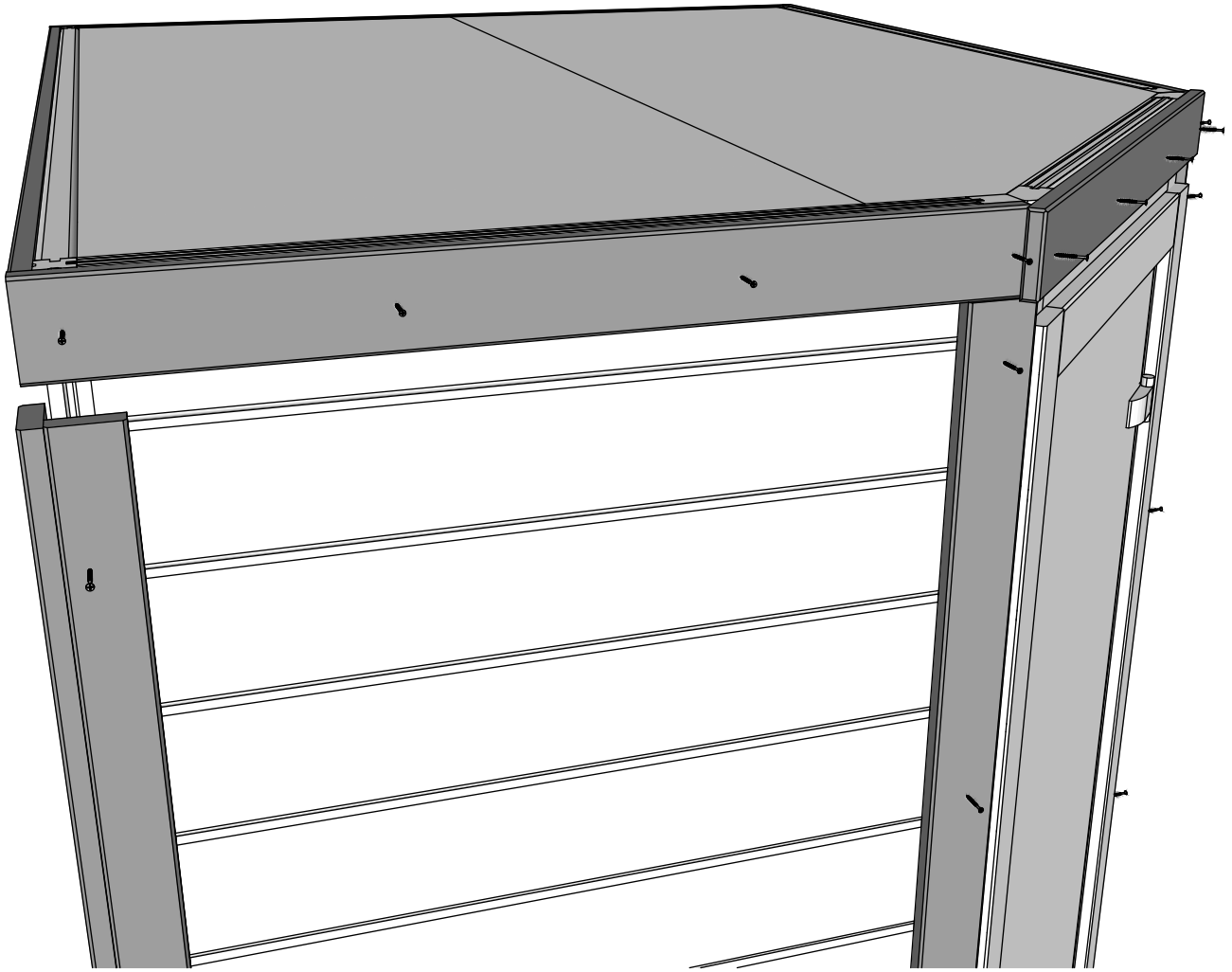
Drive the screws into the pre-drilled
holes for the panel holder in the roof
panel



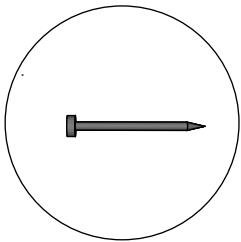
Connect roof panels as
shown above



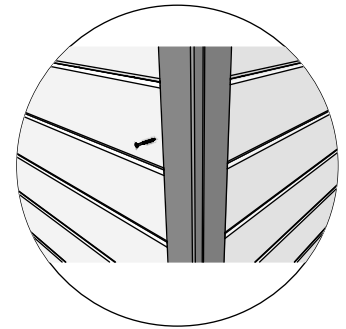
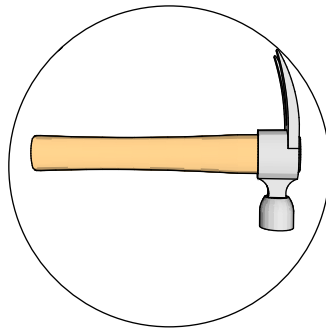
4x45mm for fastening roof panels



Place corner covers as shown on picture above



2x30mm for corner covers



Nail the corner covers to hide screws