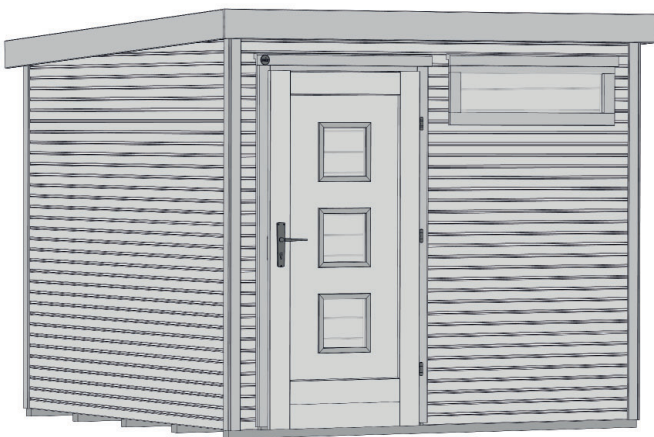




www.weka-holzbau.com



## Massivholz-Gartenhaus



171.2424.70000  
171.2424.76000  
171.2424.70010  
171.2424.76010

gespiegelte Frontwand  
171.2424.70000  
171.2424.76000  
171.2424.70010  
171.2424.76010

### Montage-, Bedienungs- und Wartungsanleitung



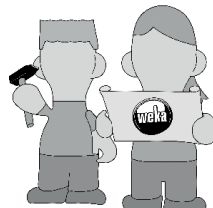
800.0286.17.92

+




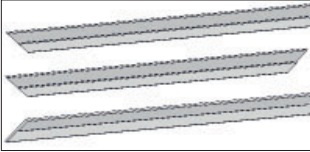

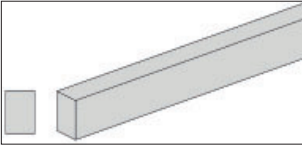

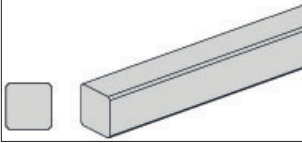
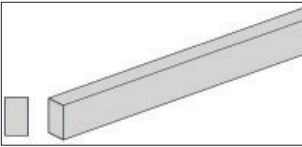
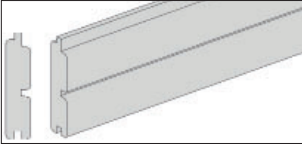
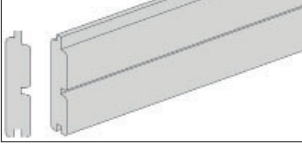
800.0286.20.02

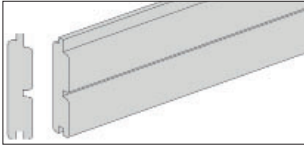
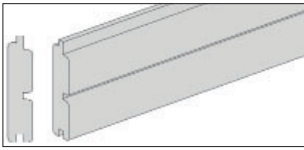


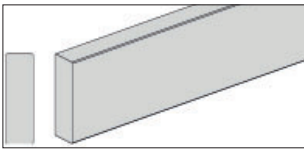
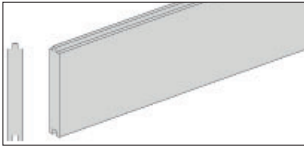
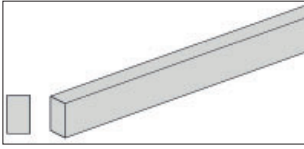
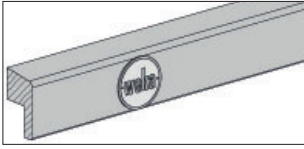
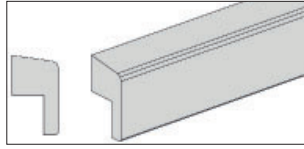
=

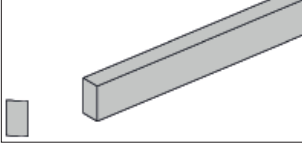
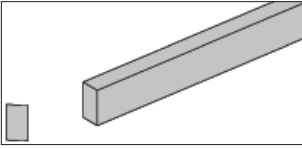
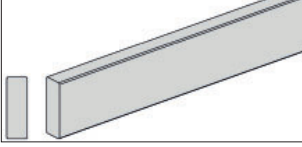
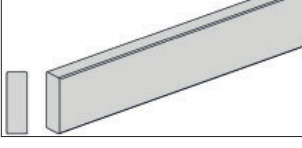
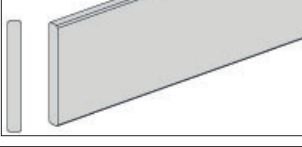
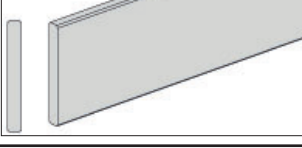
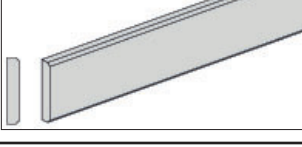
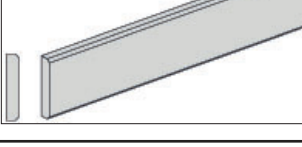
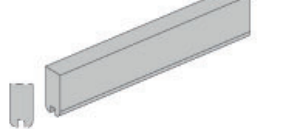









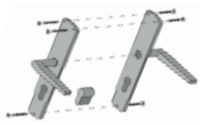
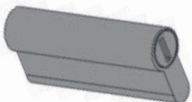

Jetzt  
scannen  
und noch  
mehr entdecken!

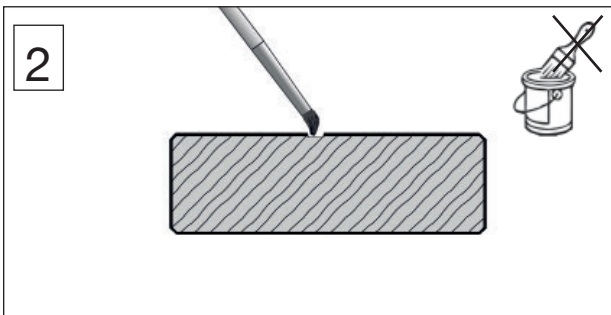
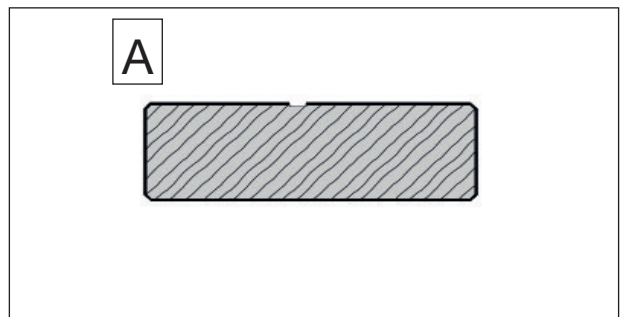
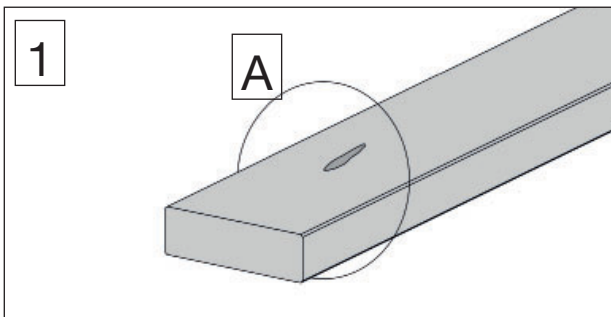
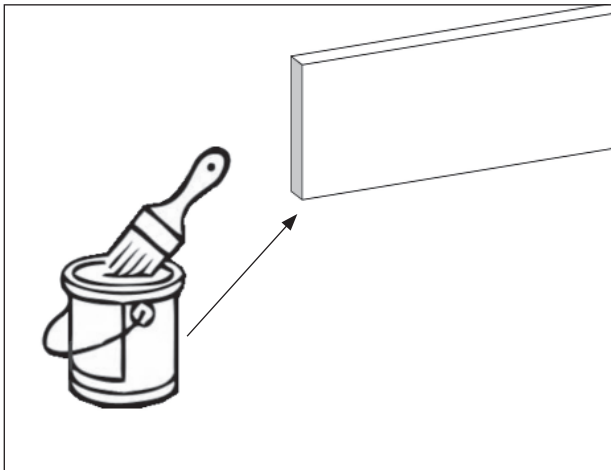
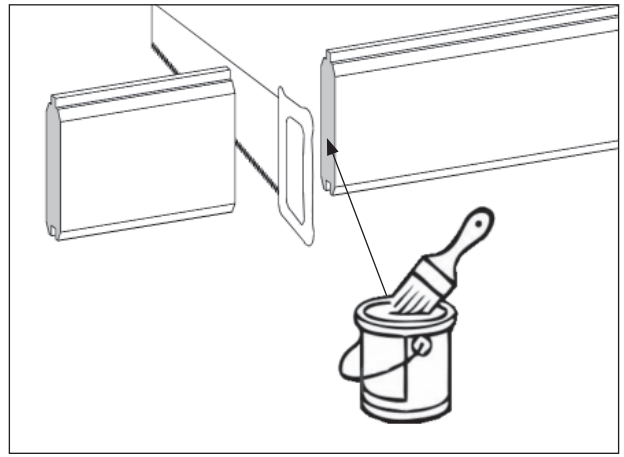
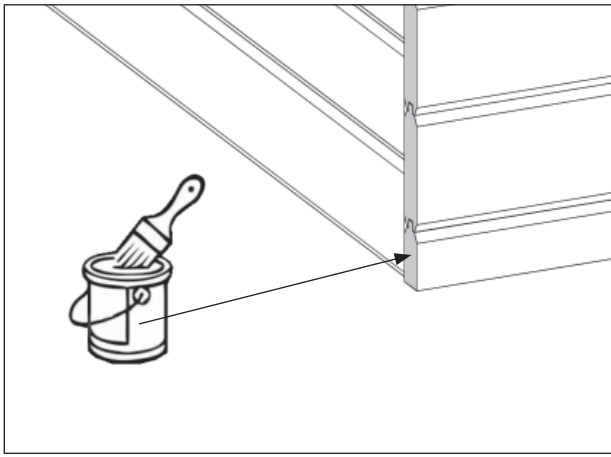


| Pos | Bild  | Abmessung<br>( mm )        | Anzahl ( Stück) |                |                |                |
|-----|---|----------------------------|-----------------|----------------|----------------|----------------|
|     |   |                            | 171.2424.70000  | 171.2424.76000 | 171.2424.70010 | 171.2424.76010 |
| 1   | B100.12.6130<br>B100.12.6170<br>       | 0/965/1810<br>0/965/2030   | 1<br>-          | -<br>1         | 1<br>-         | -<br>1         |
| 2   | E100.12.0002<br>E100.12.0004<br>       | 48/70/1815<br>48/70/2030   | 1<br>-          | 1<br>-         | -<br>1         | -<br>1         |
| 3   | B100.11.3000G<br>B100.11.3070<br>      | 59/328/968<br>59/328/968   | 1<br>-          | -<br>1         | 1<br>-         | -<br>1         |
| 4   | R002.0650.2350<br>                    | 40/60/2350                 | 5               | 5              | 5              | 5              |
| 5   | R002.0087.2350<br>                   | 18,5/121/2350              | 20              | 20             | 20             | 20             |
| 6   | R002.0225.2128<br>R002.0225.2490<br> | 40/40/2128<br>40/40/2490   | 4<br>-          | 4<br>-         | -<br>4         | -<br>4         |
| 7   | R002.0500.2000<br>                   | 15/25/2000                 | 5               | 5              | 5              | 5              |
| 8   | R002.0037.2350<br>R212.0037.2350<br> | 28/121/2350<br>28/121/2350 | 53<br>-         | -<br>53        | 59<br>-        | -<br>59        |
| 9   | R002.0037.0160<br>R212.0037.0160<br> | 28/121/160<br>28/121/160   | 20<br>-         | -<br>20        | 22<br>-        | -<br>22        |

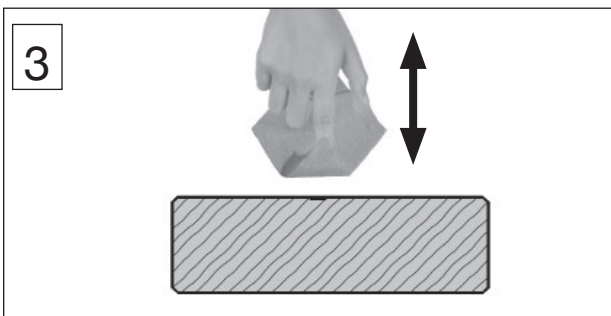
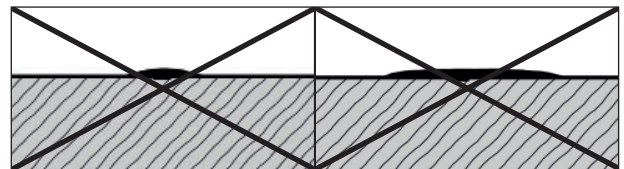
| Pos | Bild  | Abmessung<br>( mm )        | Anzahl ( Stück) |                |                |                |
|-----|---|----------------------------|-----------------|----------------|----------------|----------------|
|     |   |                            | 171.2424.70000  | 171.2424.76000 | 171.2424.70010 | 171.2424.76010 |
| 10  | R002.0037.1255<br>R212.0037.1255<br> | 28/121/1255<br>28/121/1255 | 13<br>-         | -<br>13        | 15<br>-        | -<br>15        |
| 11  | G171.01.0001<br>G171.212.0001<br>    | 28/121/1255                | 1<br>-          | -<br>1         | 1<br>-         | -<br>1         |
| 12  | G171.01.0003<br>G171.212.0003<br>    | 28/121/2350<br>28/121/2350 | 1<br>-          | -<br>1         | 1<br>-         | -<br>1         |
| 13  | G171.01.0004<br>G171.212.0004<br>   | 28/121/2350<br>28/121/2350 | 1<br>-          | -<br>1         | 1<br>-         | -<br>1         |
| 14  | R002.0350.2294<br>                 | 45/146/2294                | 2               | 2              | 2              | 2              |
| 15  | R002.0087.2510<br>                 | 18,5/121/2510              | 22              | 22             | 22             | 22             |
| 16  | R002.0500.0990<br>                 | 15/25/990                  | 2               | 2              | 2              | 2              |
| 17  | B100.03.0060<br>B100.03.1060<br>   | 35/60/990<br>35/60/990     | 1<br>-          | -<br>1         | 1<br>-         | -<br>1         |
| 18  | R002.0883.0990<br>                 | 35/60/990                  | 1               | 1              | 1              | 1              |

| Pos | Bild  | Abmessung<br>( mm )            | Anzahl ( Stück) |                |                |                |
|-----|---|--------------------------------|-----------------|----------------|----------------|----------------|
|     |   |                                | 171.2424.70000  | 171.2424.76000 | 171.2424.70010 | 171.2424.76010 |
| 19  | R002.0181.1805<br>R002.0181.2030<br>   | 15/28/1805<br>15/28/2030       | 2<br>-          | 2<br>-         | -<br>2         | -<br>2         |
| 20  | R002.0181.1130<br>                     | 15/28/1130                     | 2               | 2              | 2              | 2              |
| 21  | R010.0530.1775<br>                     | 15/45/1775                     | -               | 6              | -              | 6              |
| 22  | R002.0530.1775<br>                    | 15/45/1775                     | 9               | 3              | 9              | 3              |
| 23  | R002.0560.2480<br>R010.0560.2480<br> | 18,5/146/2480<br>18,5/146/2480 | 1<br>-          | -<br>1         | 1<br>-         | -<br>1         |
| 24  | R002.0560.2600<br>R010.0560.2600<br> | 18,5/146/2600<br>18,5/146/2600 | 2<br>-          | -<br>2         | 2<br>-         | -<br>2         |
| 25  | R002.0400.2300<br>R010.0400.2300<br> | 11/58/2300<br>11/58/2300       | 4<br>-          | -<br>4         | 8<br>-         | -<br>8         |
| 26  | R002.0400.1905<br>R010.0400.2040<br> | 11/58/1905<br>11/58/2040       | 4<br>-          | -<br>4         | -<br>-         | -<br>-         |
| 27  | G105.01.0006<br>                     | 28/60/300                      | 4               | 4              | 4              | 4              |

| <b>M171.003</b> |   | Abmessung<br>( mm ) | Anzahl ( Stück) |
|-----------------|---|---------------------|-----------------|
| Pos             | Bild  |                     |                 |
| M1              | K002.2550.0004<br>   | 5,0 x 25            | 80              |
| M2              | K001.8050.0004<br>   | 5,0 x 80            | 20              |
| M3              | K001.6040.0004<br>   | 4,0 x 60            | 400             |
| M4              | K001.4040.0004<br>   | 4,0 x 40            | 100             |
| M5              | K001.3030.0004<br>   | 3,0 x 30            | 100             |
| M6              | K010.5022.0001<br>  | 2,2 x 55            | 450             |
| M7              | K074.4513.0000<br> | 45 x 137            | 4               |
|                 |   |                     |                 |
| <b>M100.034</b> |   | Abmessung<br>( mm ) | Anzahl ( Stück) |
| Pos             | Bild  |                     |                 |
| M8              | K045.1270.0001<br> |                     | 1               |
| M9              | K036.3135.0001<br> | 0/0/65              | 1               |
| M10             | K001.4040.0004<br> | 4,0 x 40            | 26              |
|                 |   |                     |                 |



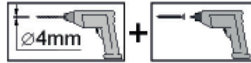
Farbe dünn auftragen und nur auf der Schadstelle.



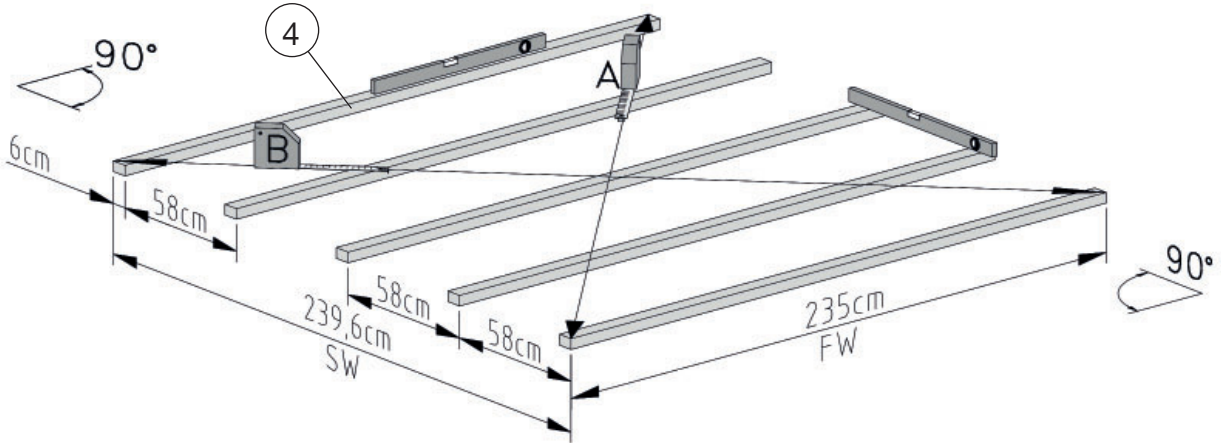
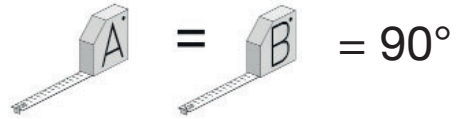
Farbe tupfen  
Vorgang wiederholen



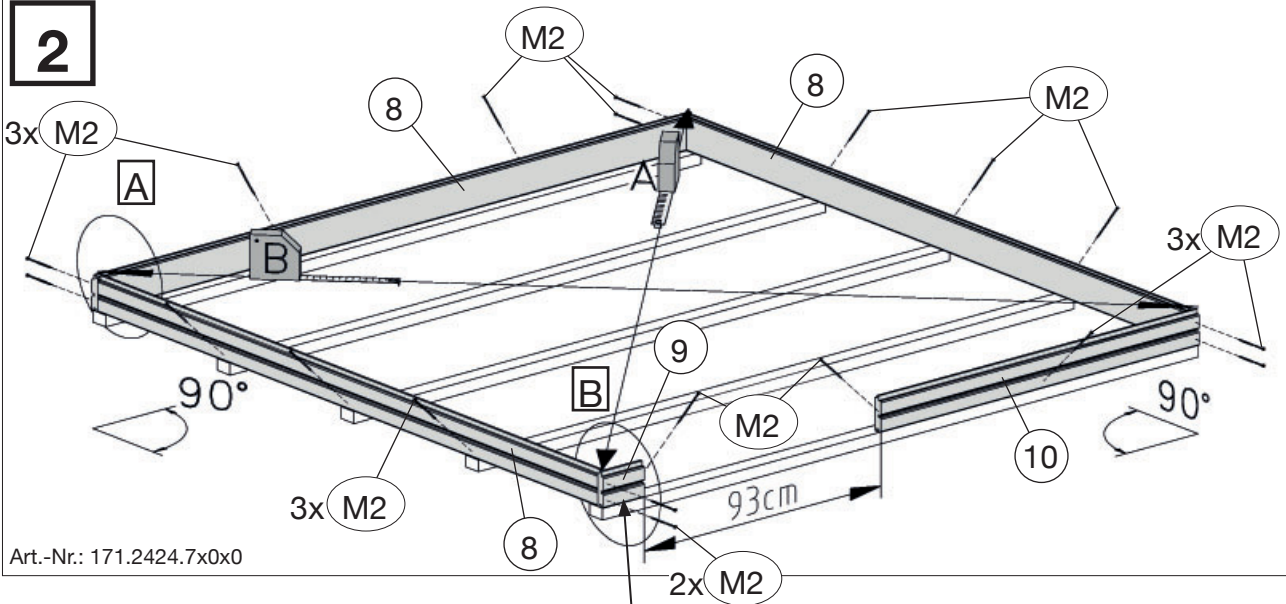
1



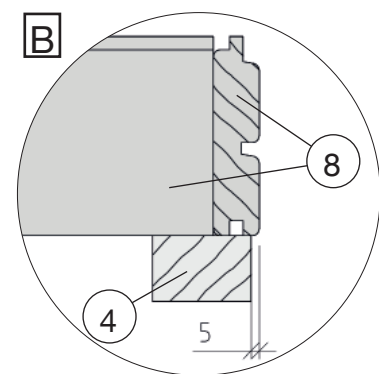
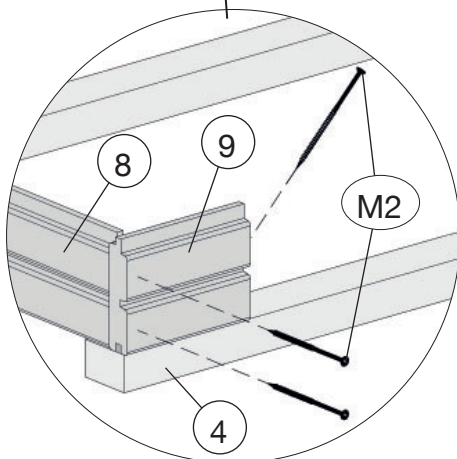
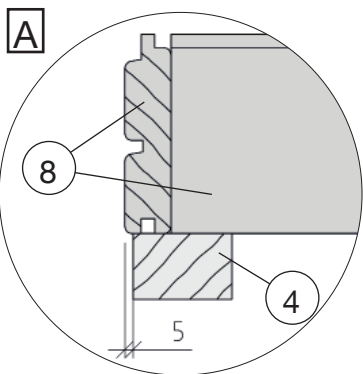
Art.-Nr.: 171.2424.70000  
171.2424.76000  
171.2424.70010  
171.2424.76010




2

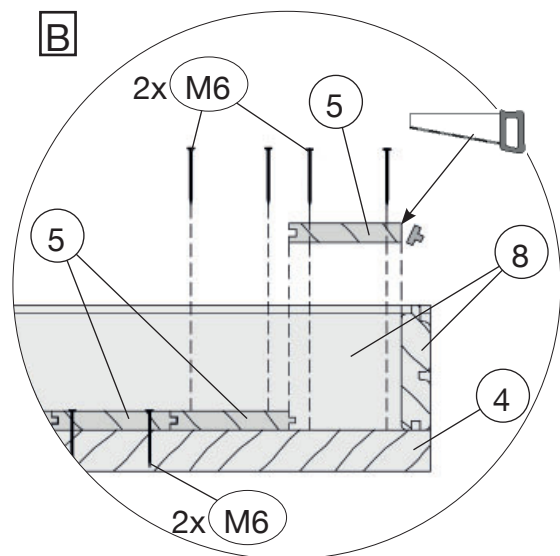
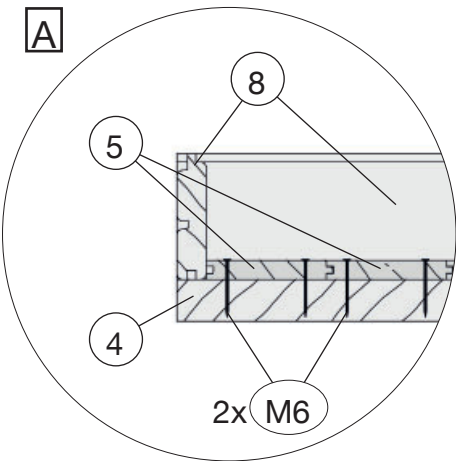
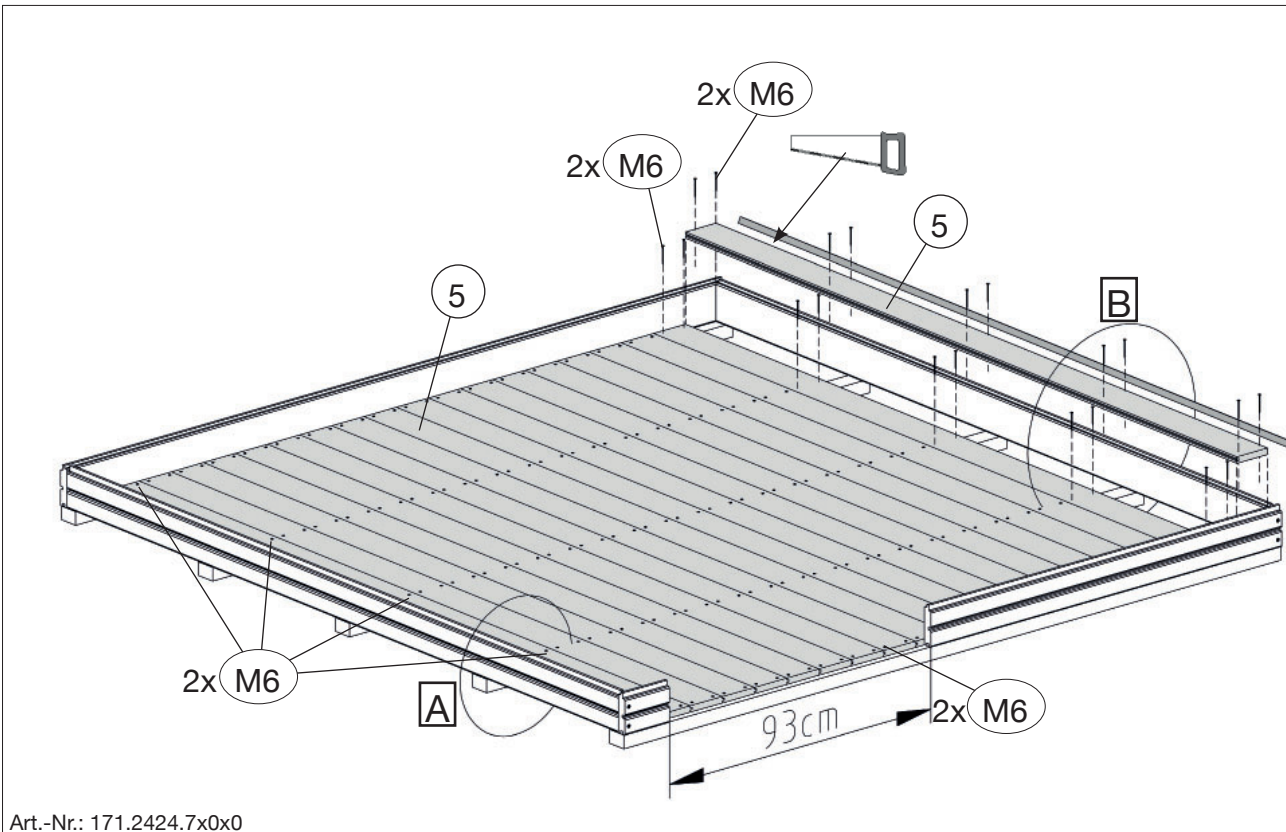


Art.-Nr.: 171.2424.7x0x0



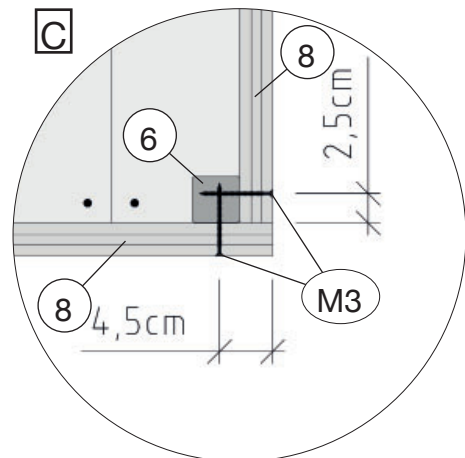
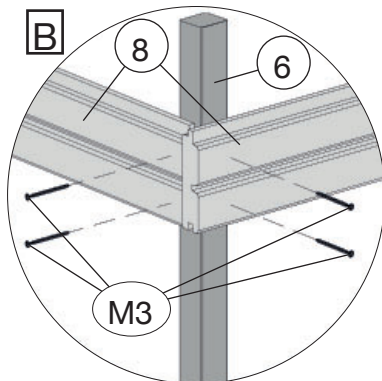
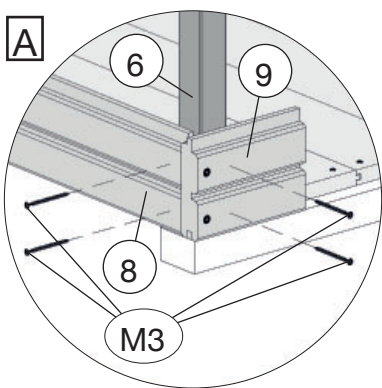
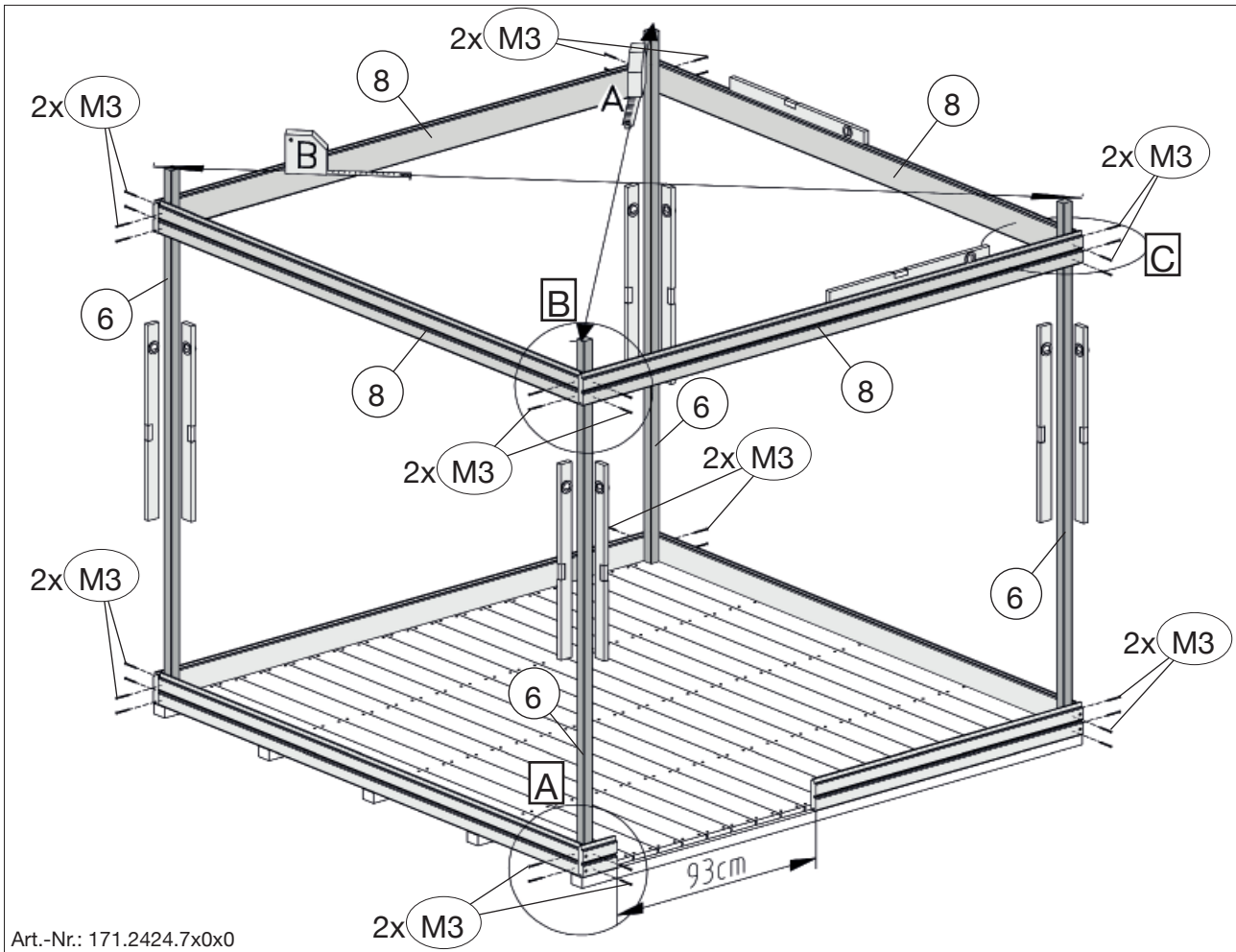
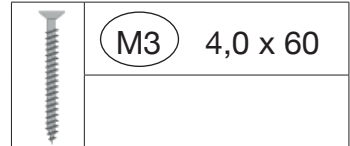
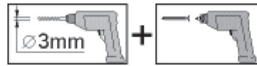
**3**

|   |             |
|---|-------------|
|  | M6 2,2 x 55 |
|   |             |




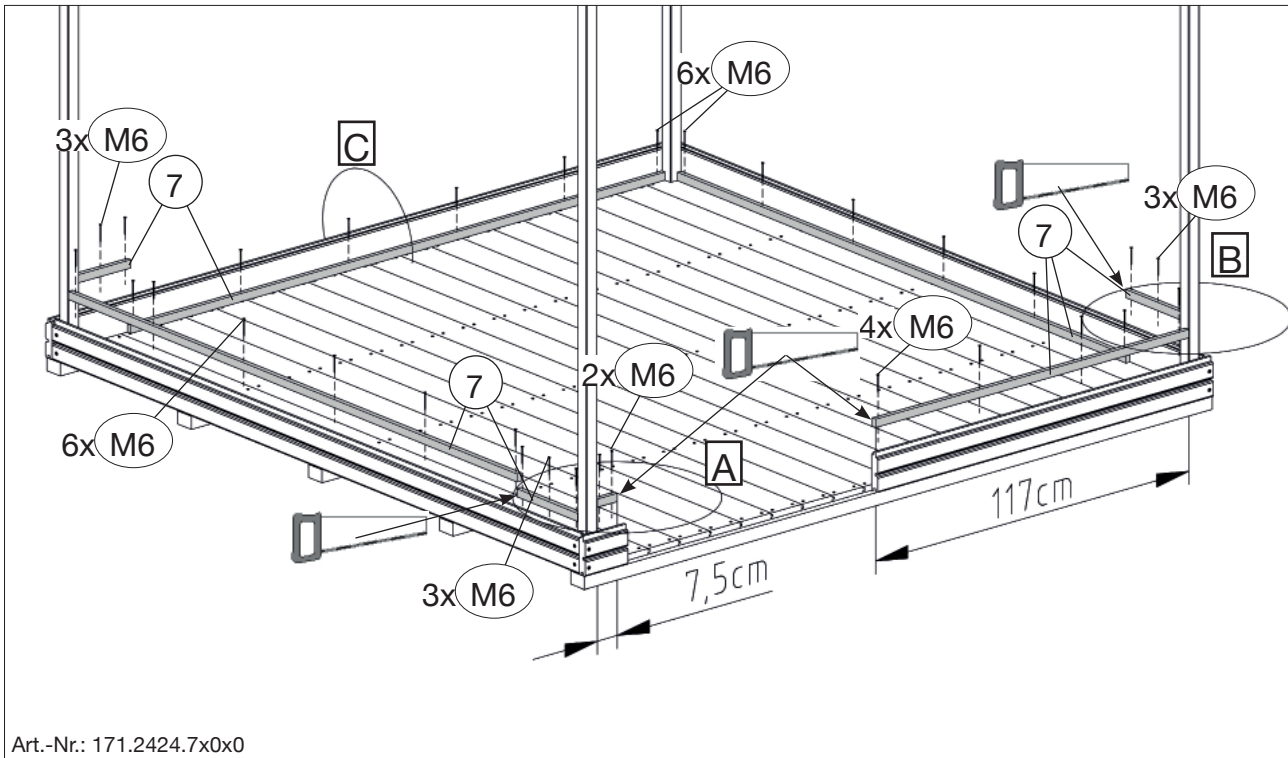


4

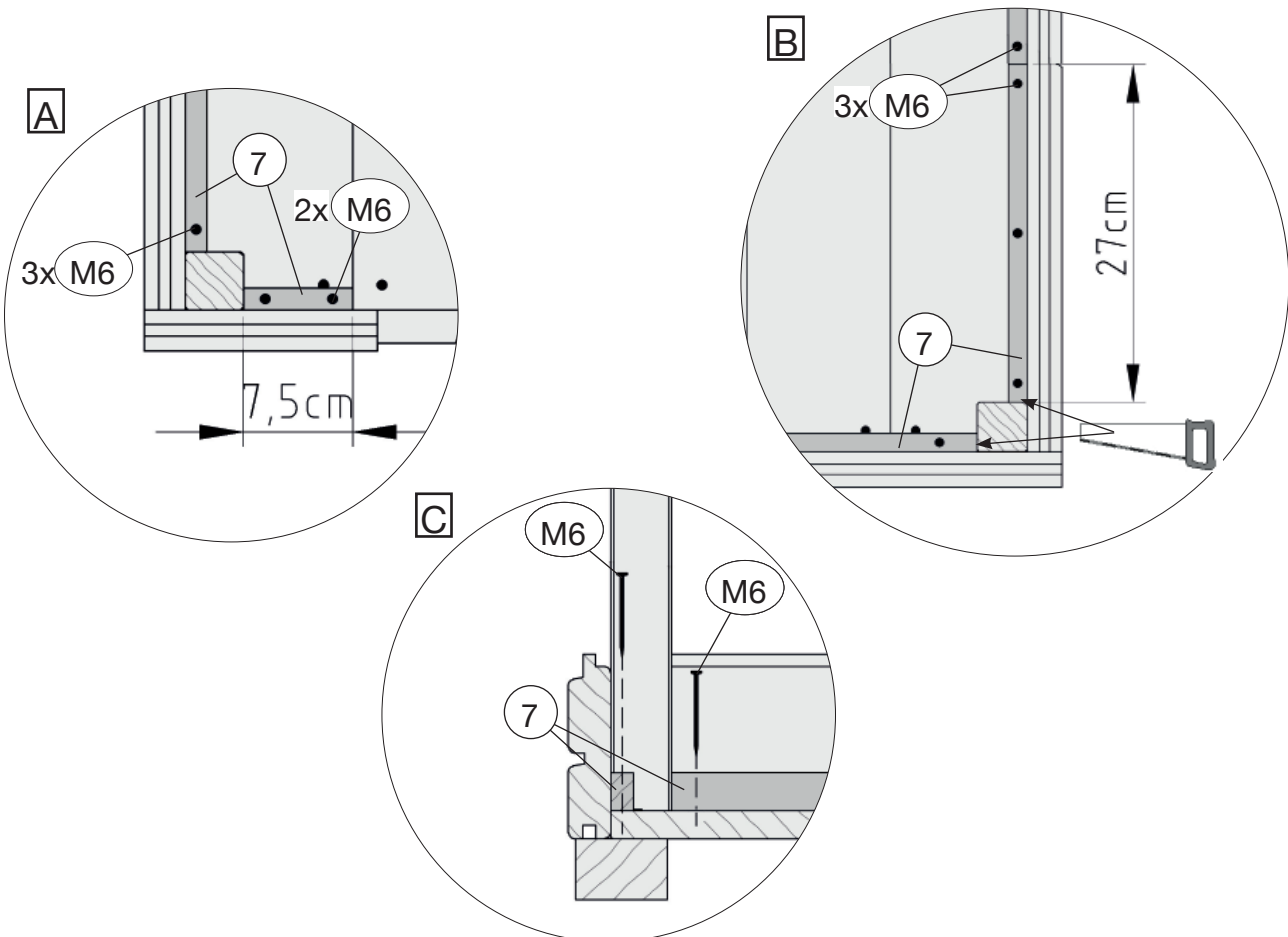


5

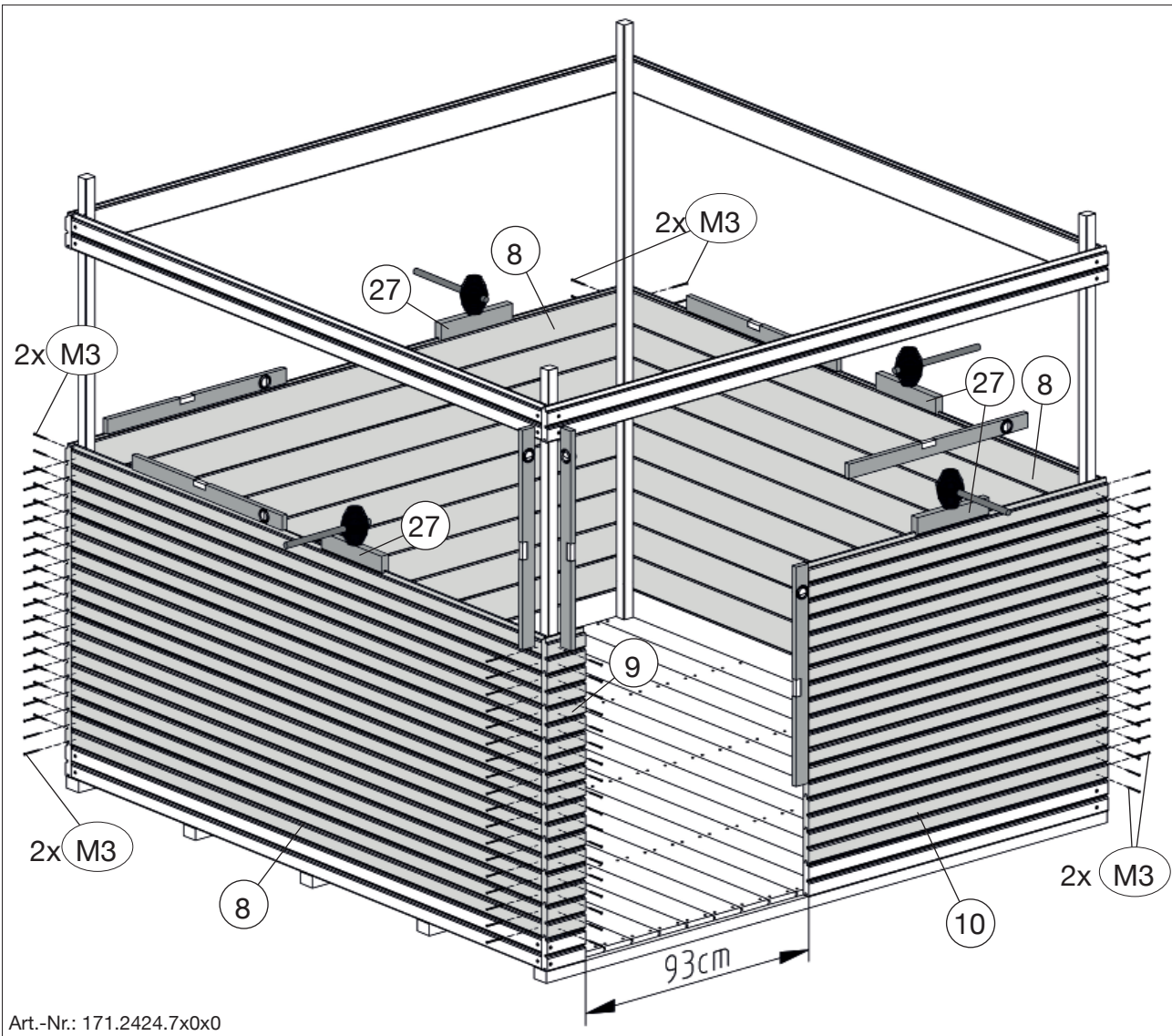
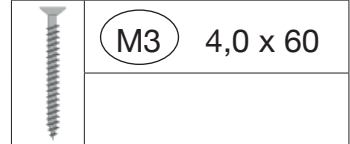
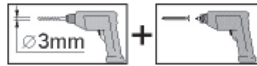
|   |             |
|---|-------------|
|  | M6 2,2 x 55 |
|---|-------------|



Art.-Nr.: 171.2424.7x0x0



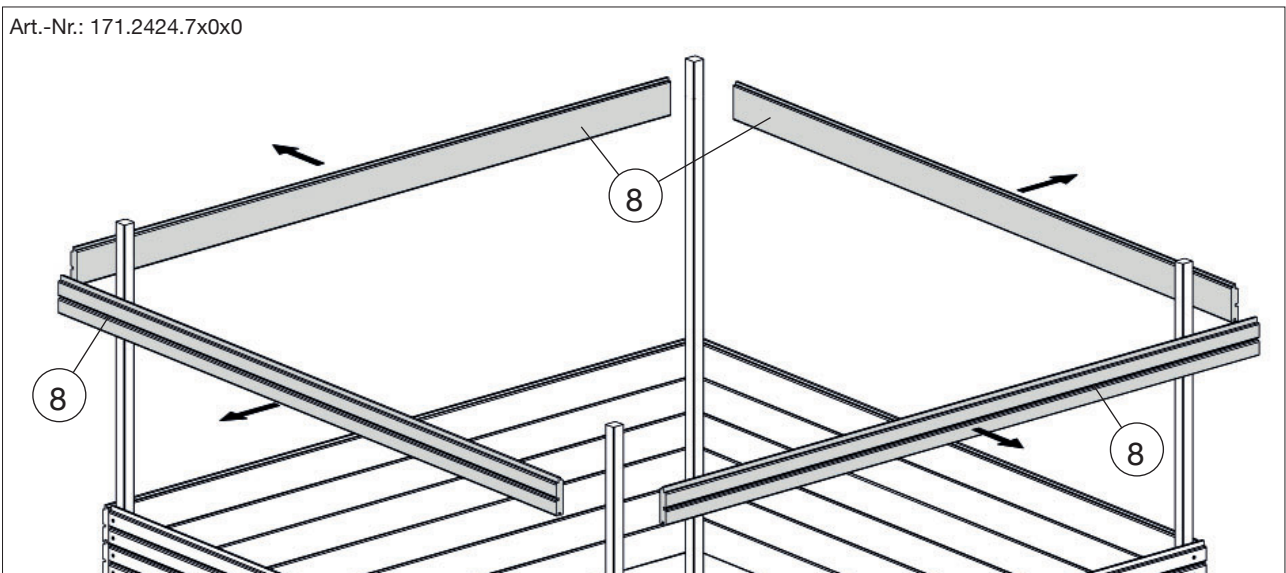
6



Art.-Nr.: 171.2424.7x0x0

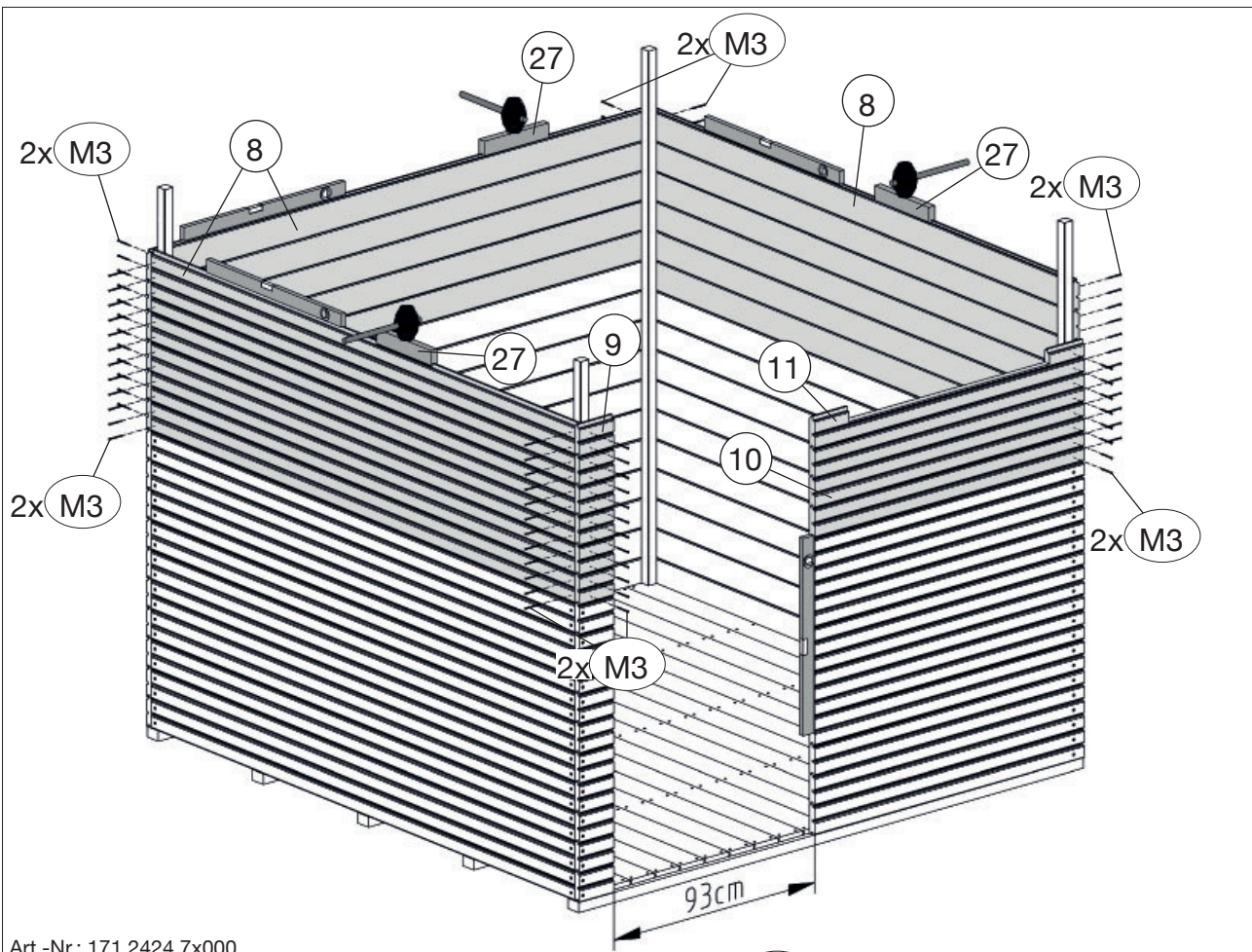
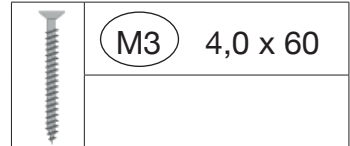
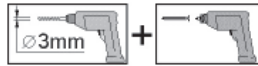
7

Art.-Nr.: 171.2424.7x0x0



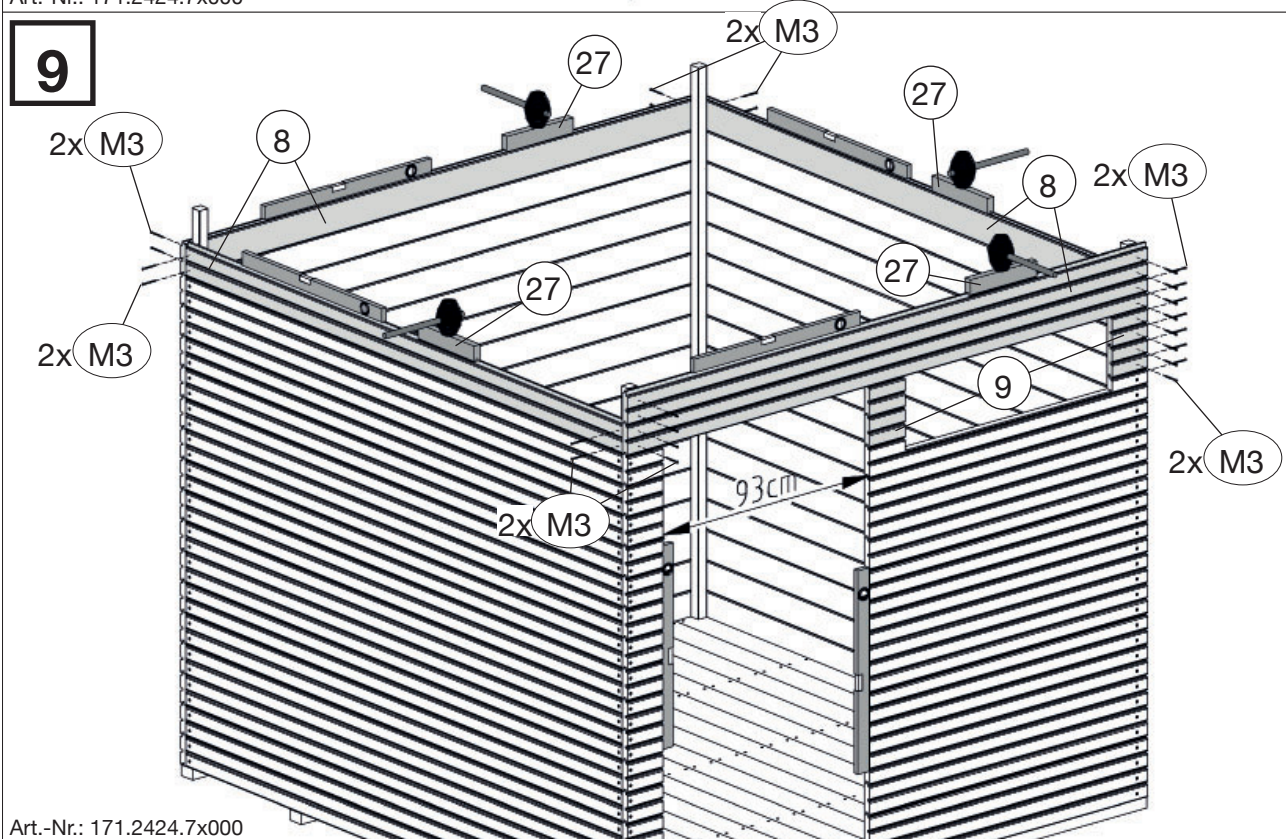


8



Art.-Nr.: 171.2424.7x000

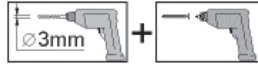
9




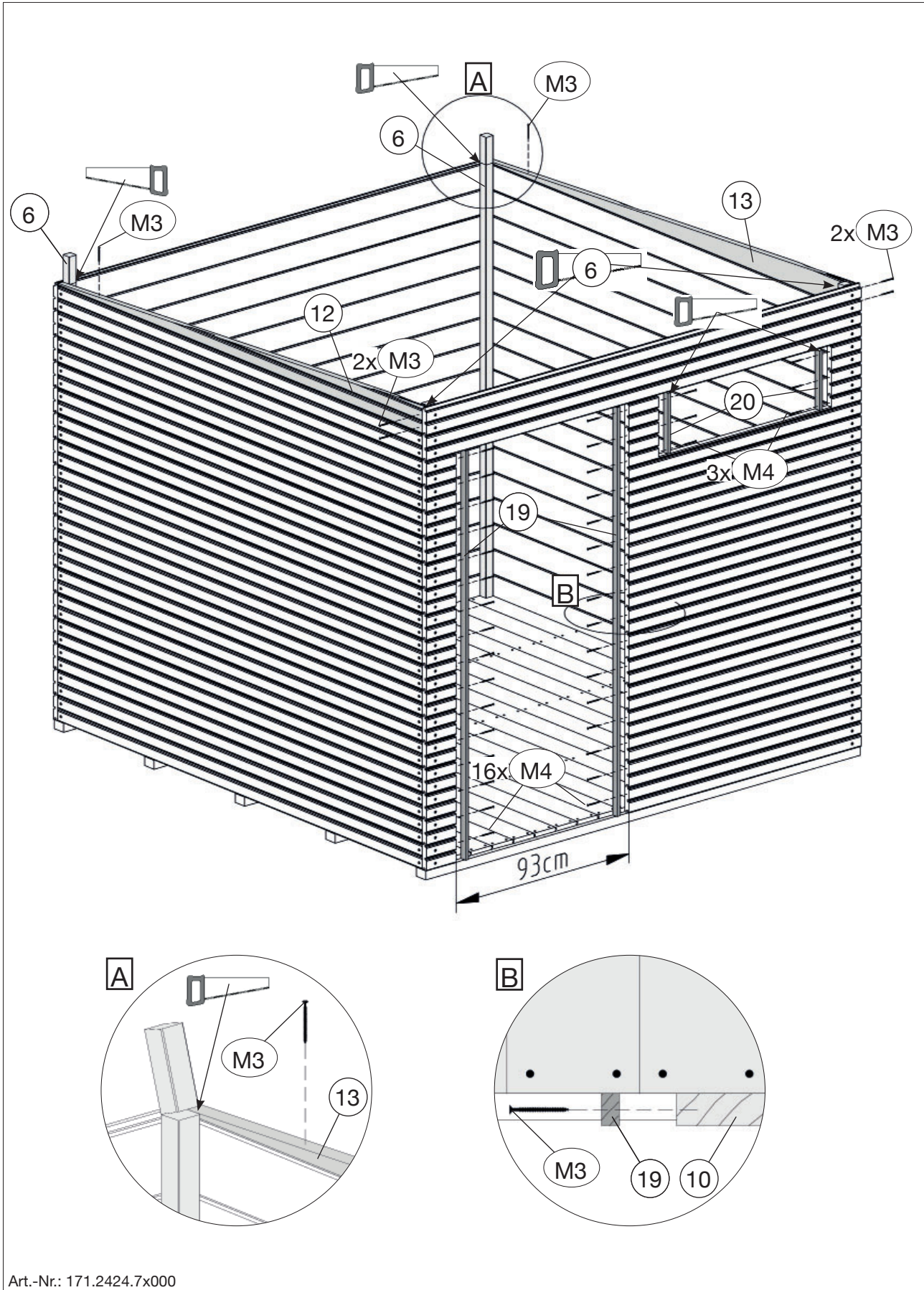
Art.-Nr.: 171.2424.7x000



10

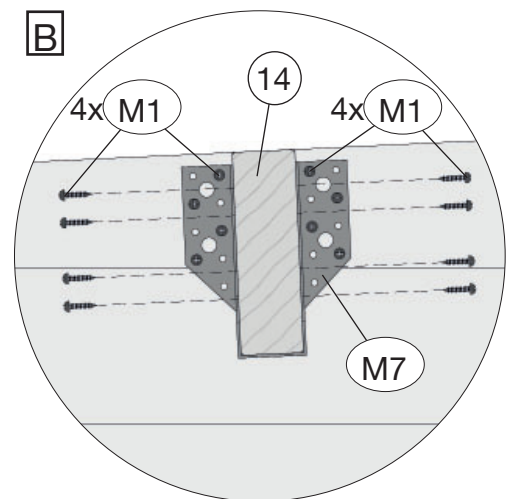
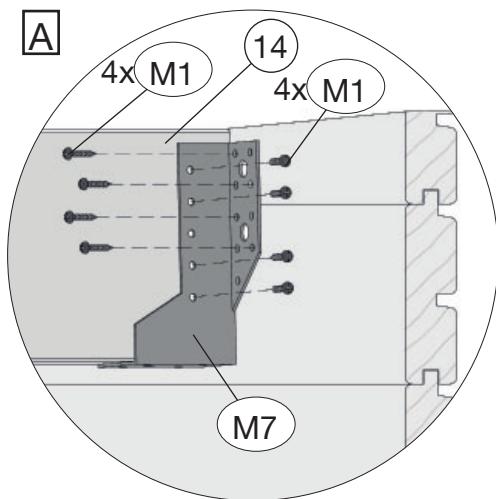
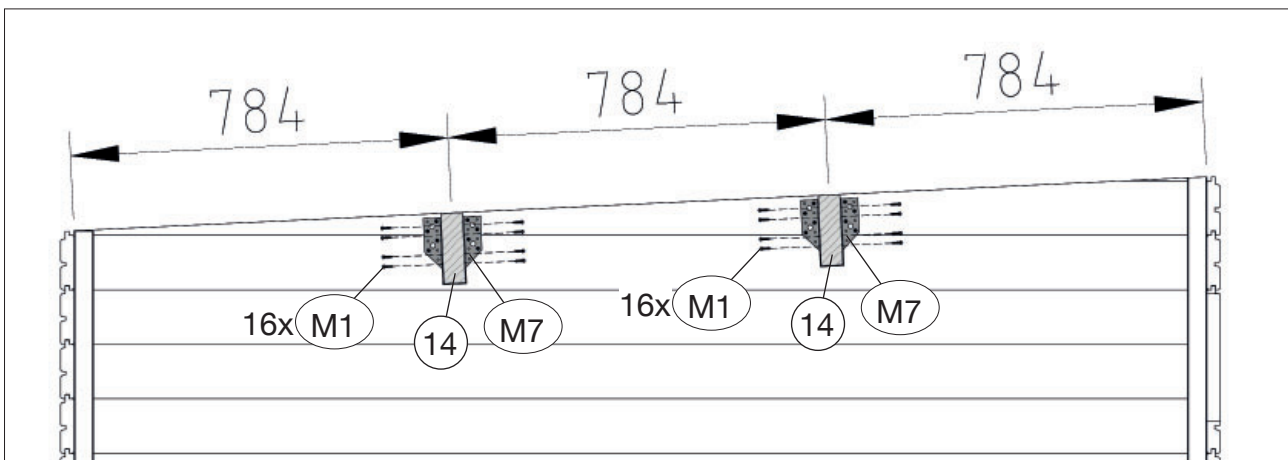
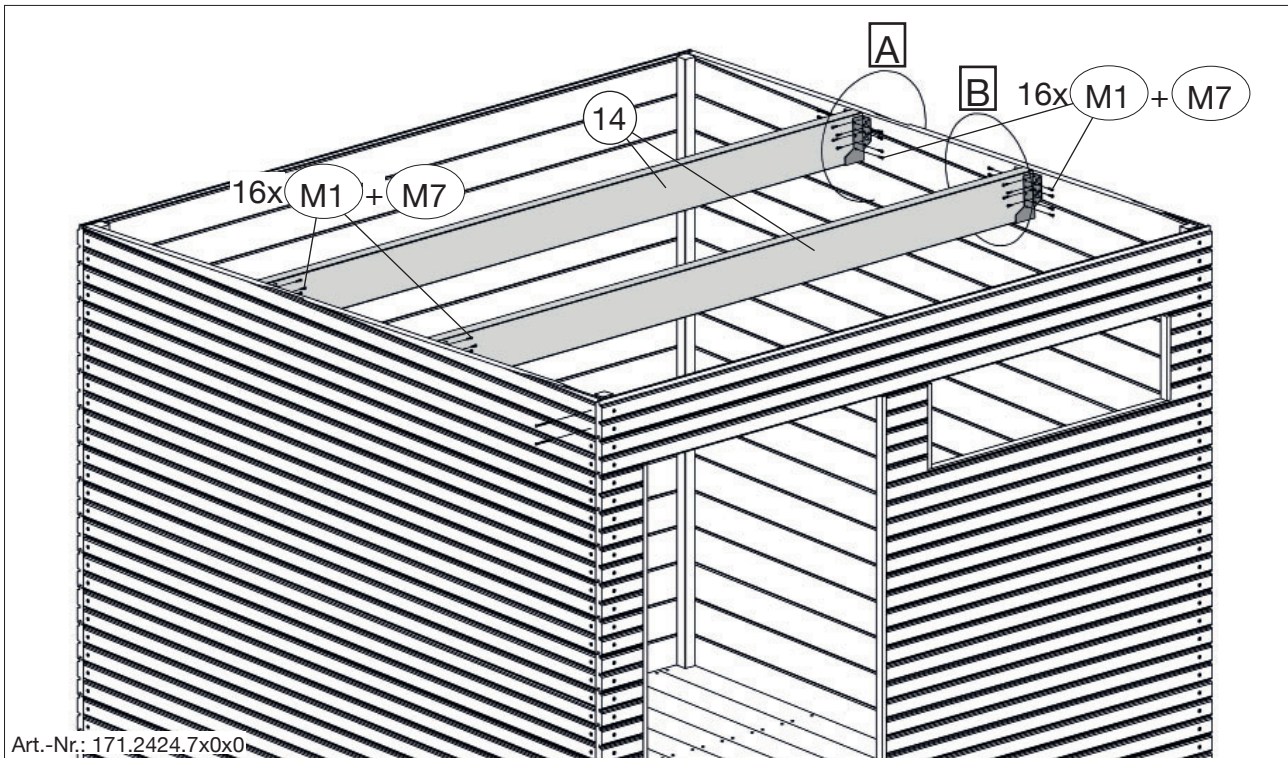
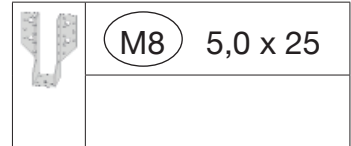
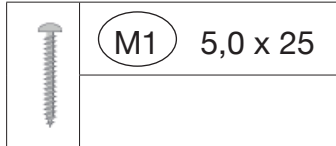
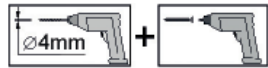


|   |    |          |
|---|----|----------|
|  | M3 | 4,0 x 60 |
|   | M4 | 4,0 x 40 |




Art.-Nr.: 171.2424.7x000

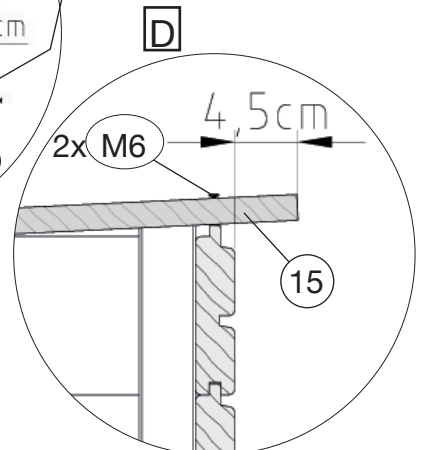
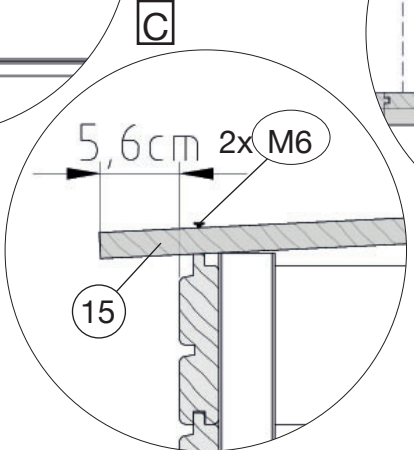
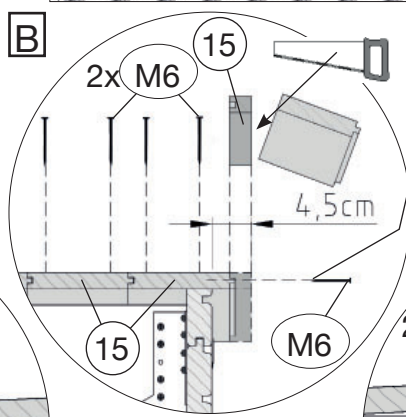
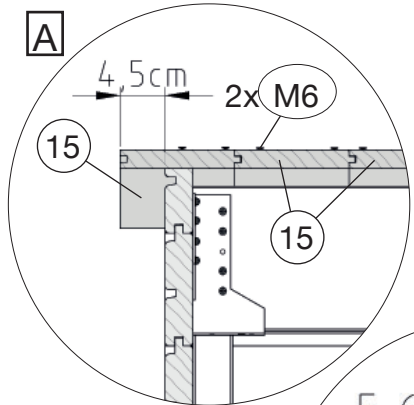
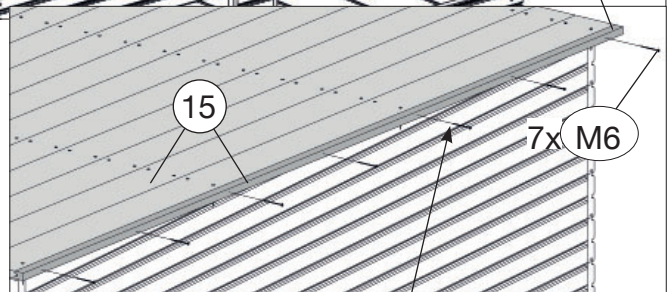
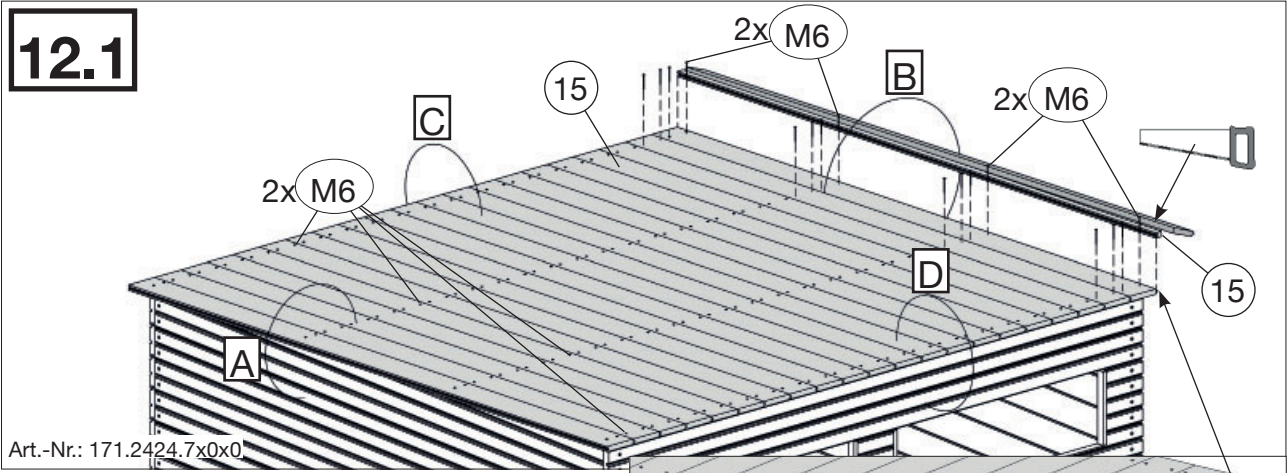
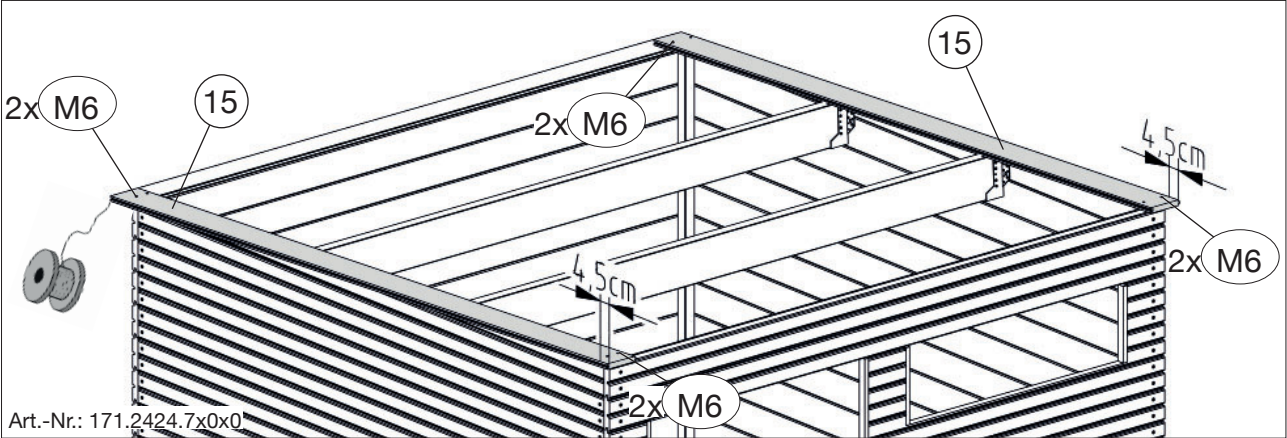
11



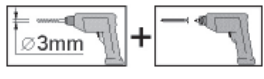



# 12

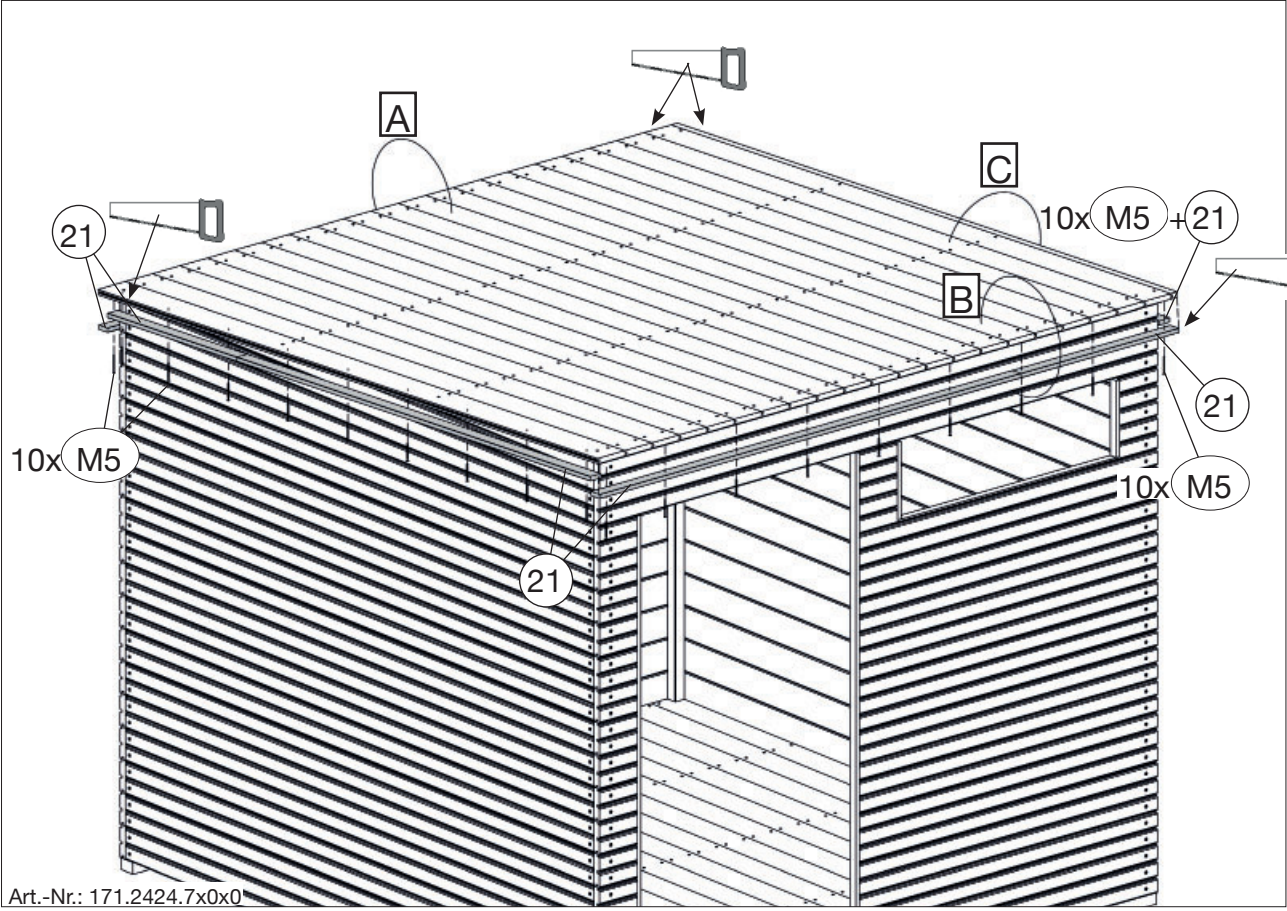
|   |    |          |
|---|----|----------|
|  | M6 | 2,2 x 55 |
|   |    |          |



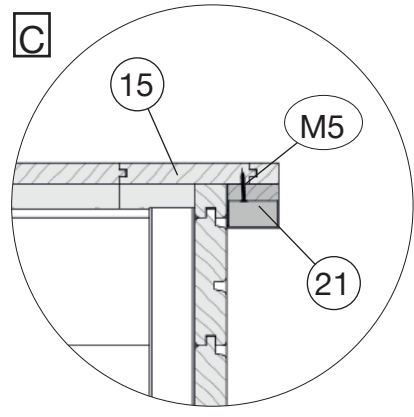
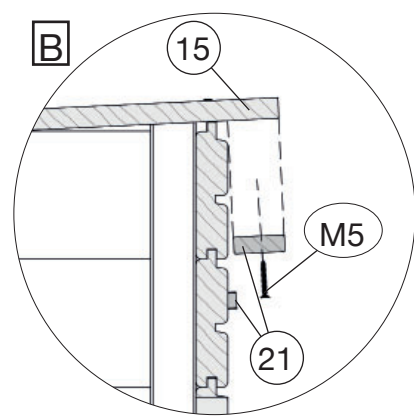
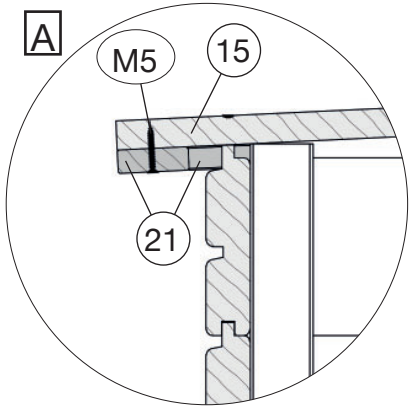
13



|   |    |          |
|---|----|----------|
|  | M5 | 3,0 x 30 |
|---|----|----------|

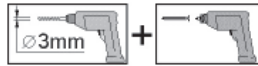



Art.-Nr.: 171.2424.7x0x0

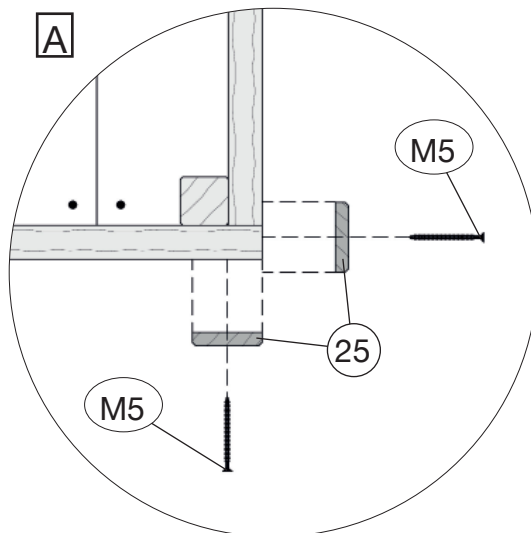
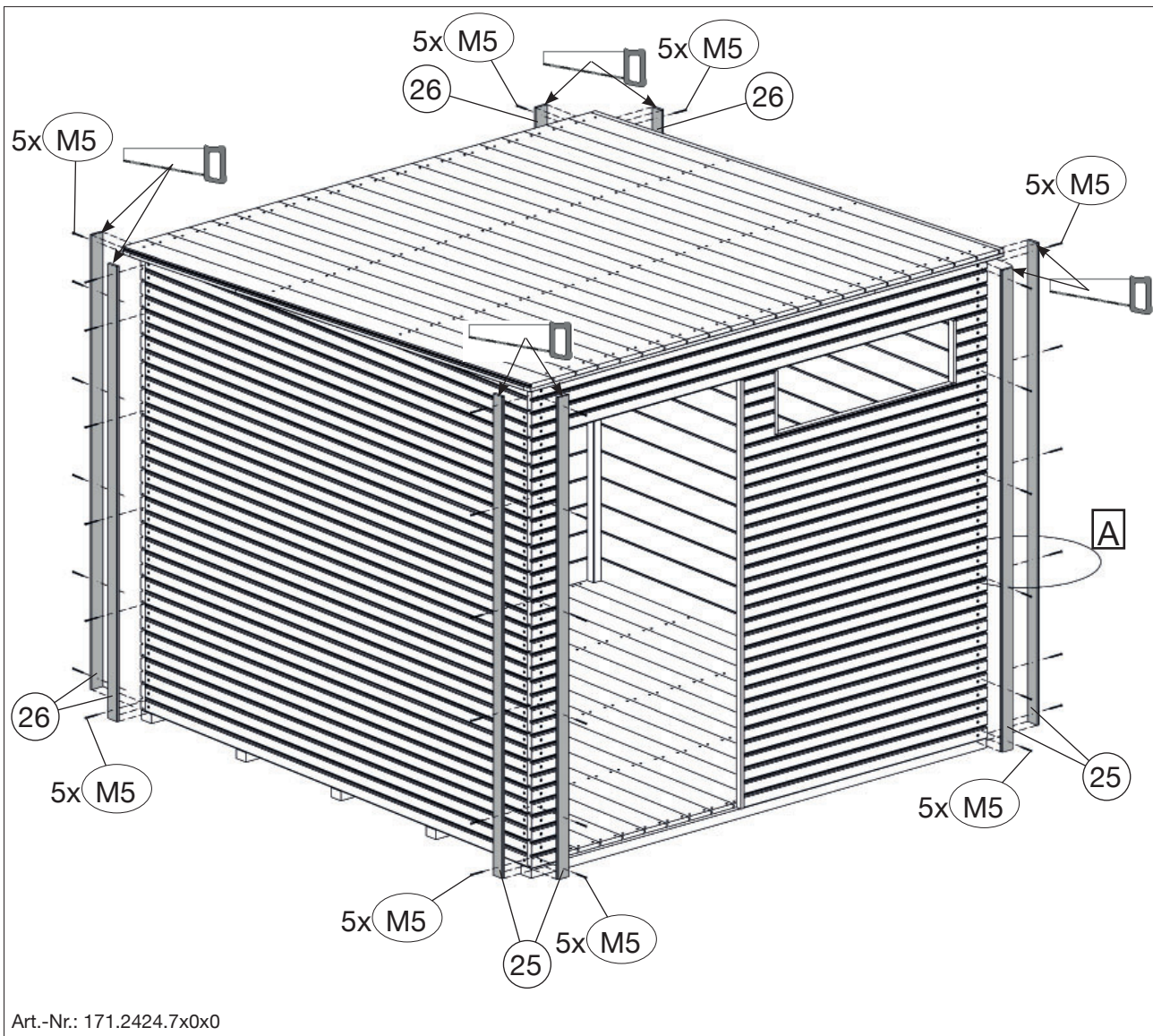




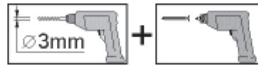
14




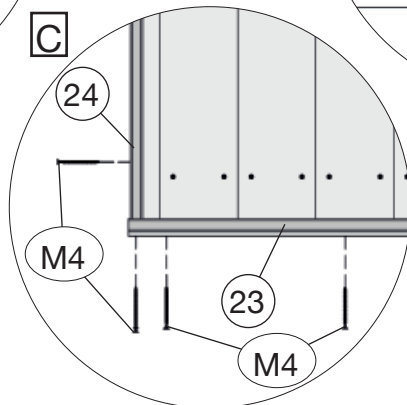
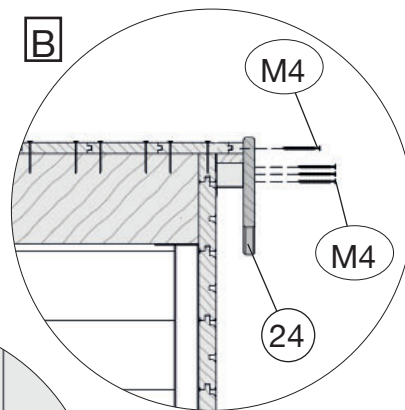
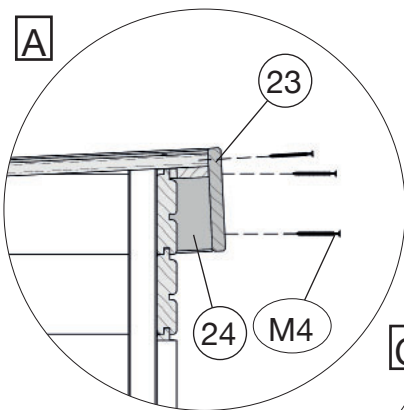
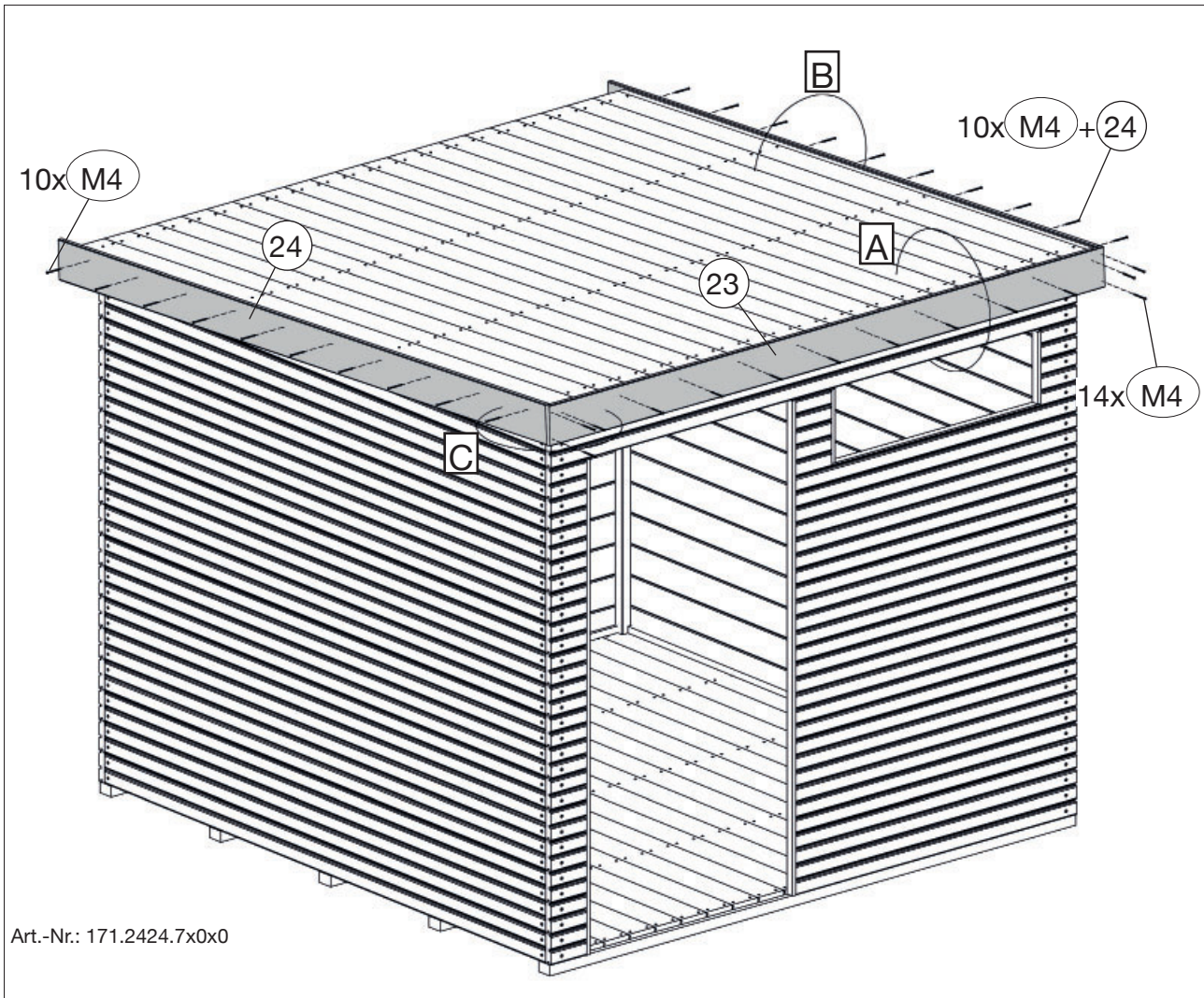
|   |    |          |
|---|----|----------|
|  | M5 | 3,0 x 30 |
|---|----|----------|



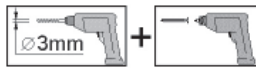
15




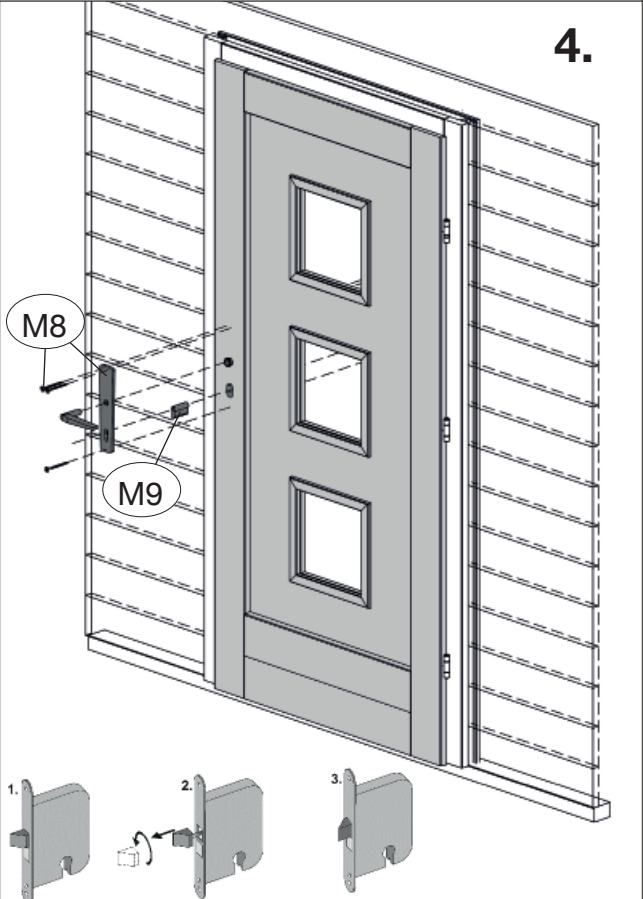
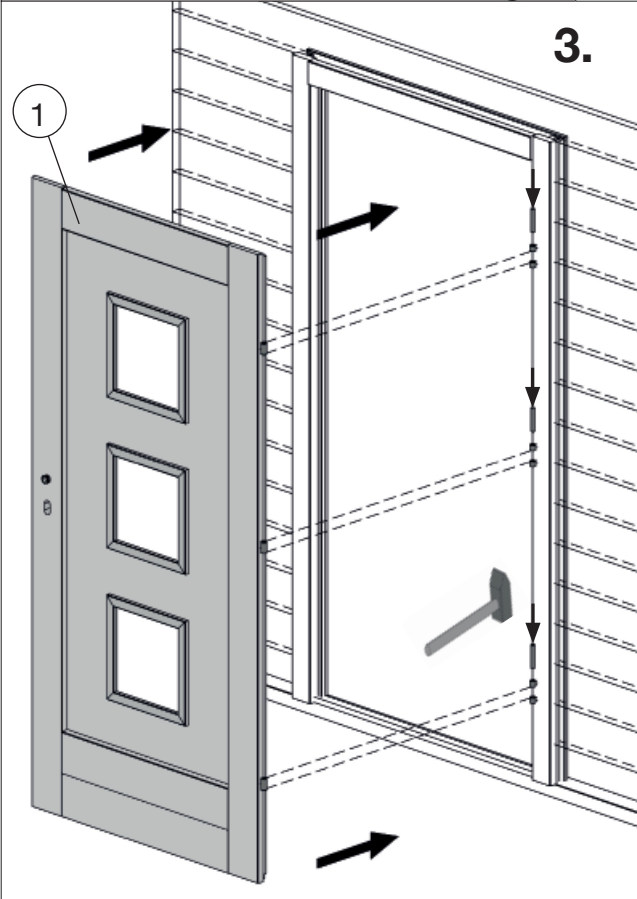
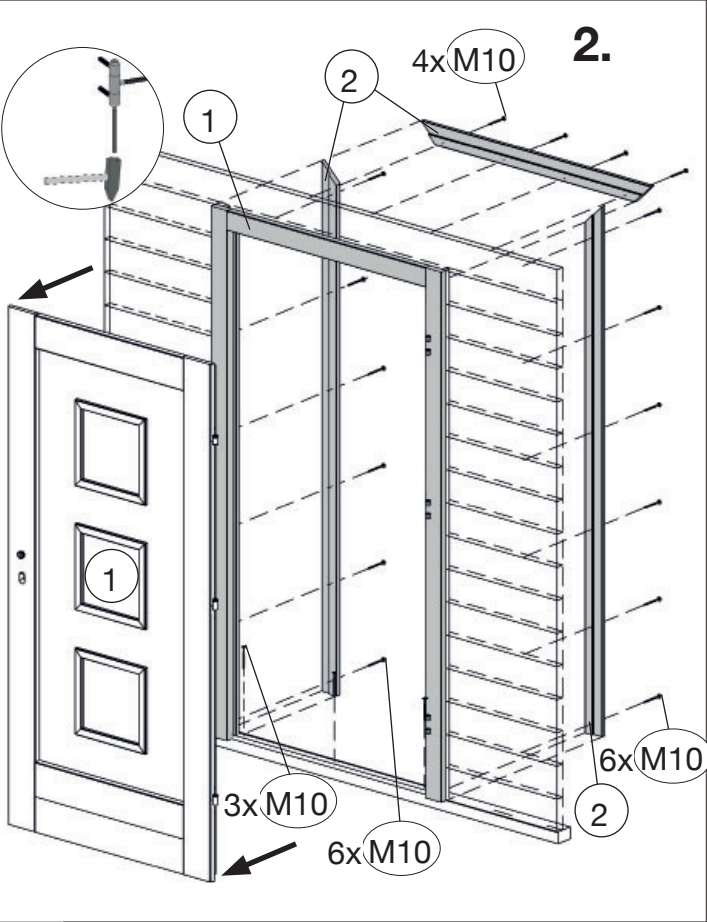
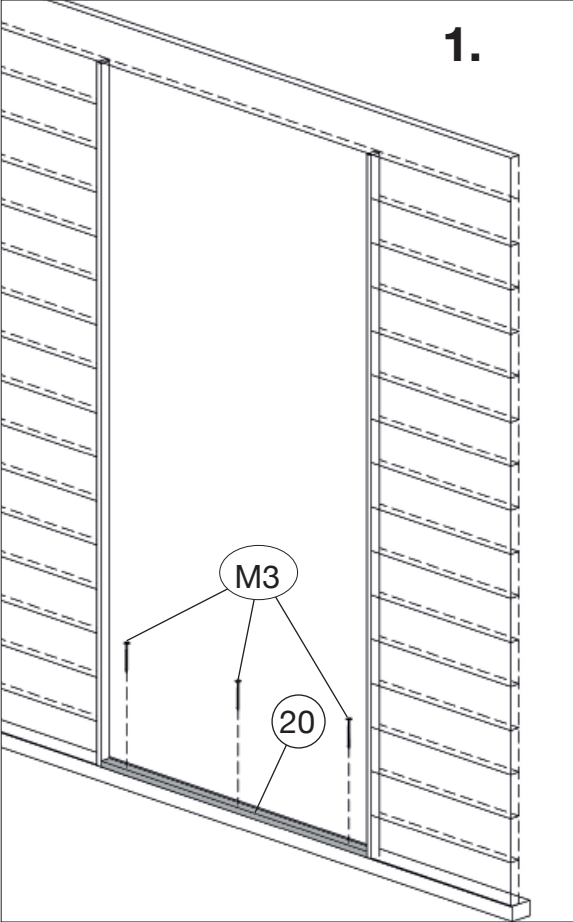
|   |             |
|---|-------------|
|  | M4 4,0 x 40 |
|---|-------------|



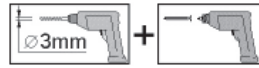





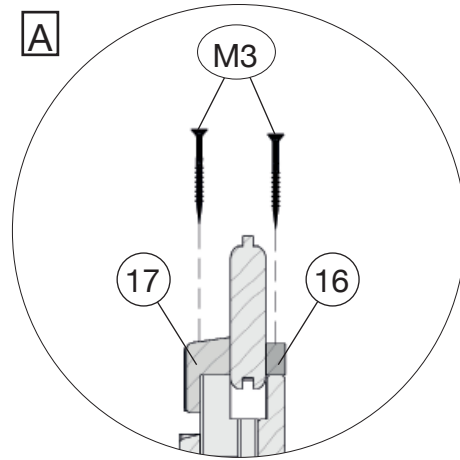
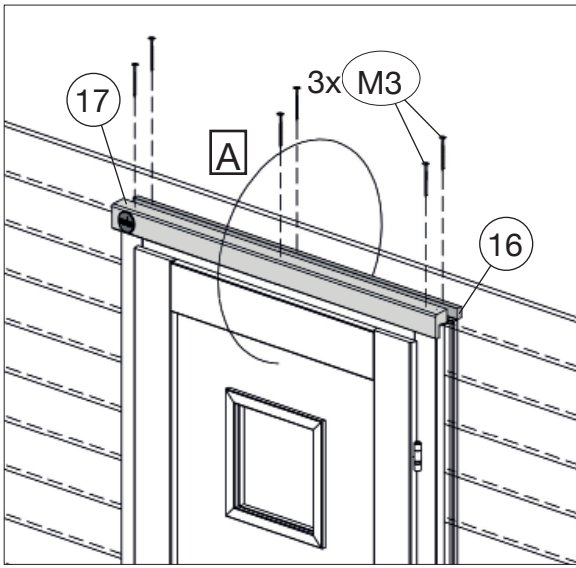
|   |     |          |
|---|-----|----------|
|  | M3  | 4,0 x 60 |
|   | M10 | 4,0 x 40 |



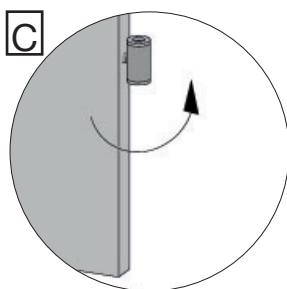
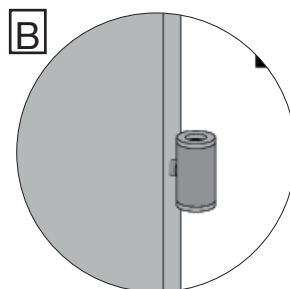
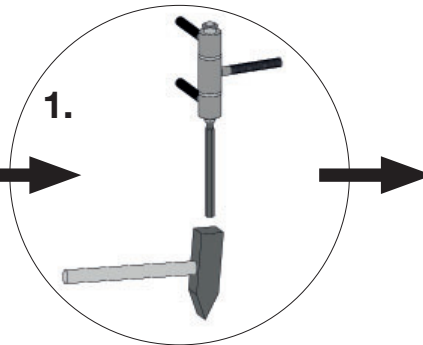
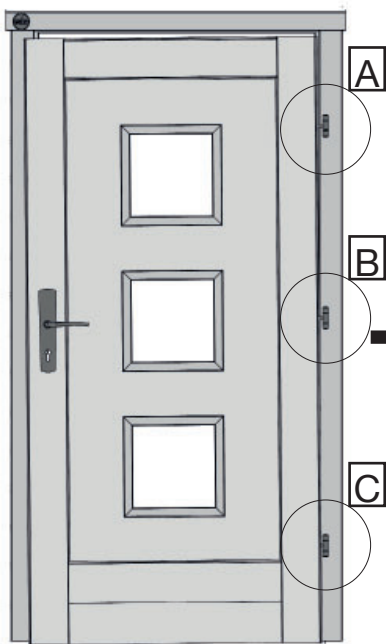
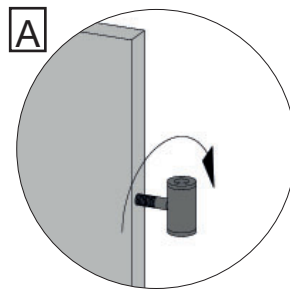
17



|   |    |          |
|---|----|----------|
|  | M3 | 4,0 x 60 |
|---|----|----------|

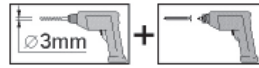




18

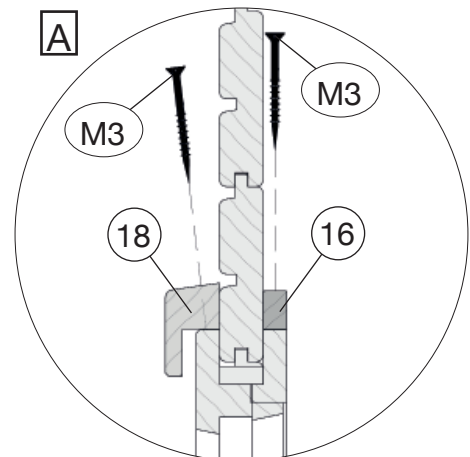
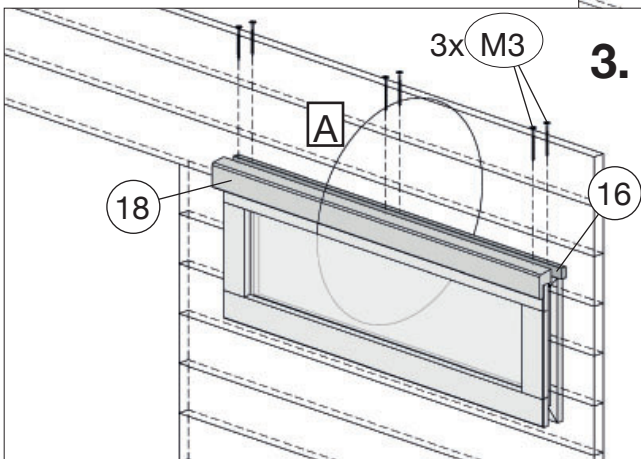
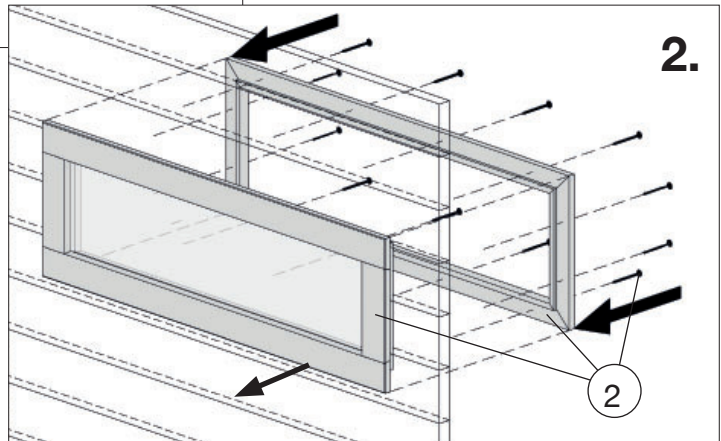
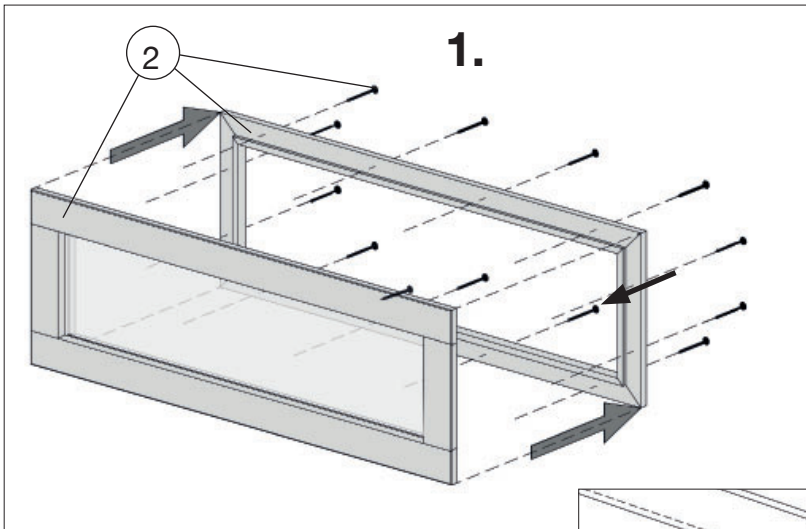




**19**



|   |     |          |
|---|-----|----------|
|  | M3  | 4,0 x 60 |
|  | M10 | 4,0 x 40 |





Notizen

Lined area for taking notes.



# Kennen Sie schon die WEKA- Wellnesswelt?



Jetzt  
scannen  
und unsere  
**Saunen &  
Infrarotkabinen**  
entdecken!



[www.weka-holzbau.com](http://www.weka-holzbau.com)



## **WEKA Holzbau GmbH**

Johannesstr. 16, 17034 Neubrandenburg

Tel.: +49 (0)395 42908-0

Fax: +49 (0)395 42908-83

Mail: [info@weka-holzbau.com](mailto:info@weka-holzbau.com)

Web: [www.weka-holzbau.com](http://www.weka-holzbau.com)

MA Art.-Nr.: 800.0286.17.92

© Copyright HRB 3662